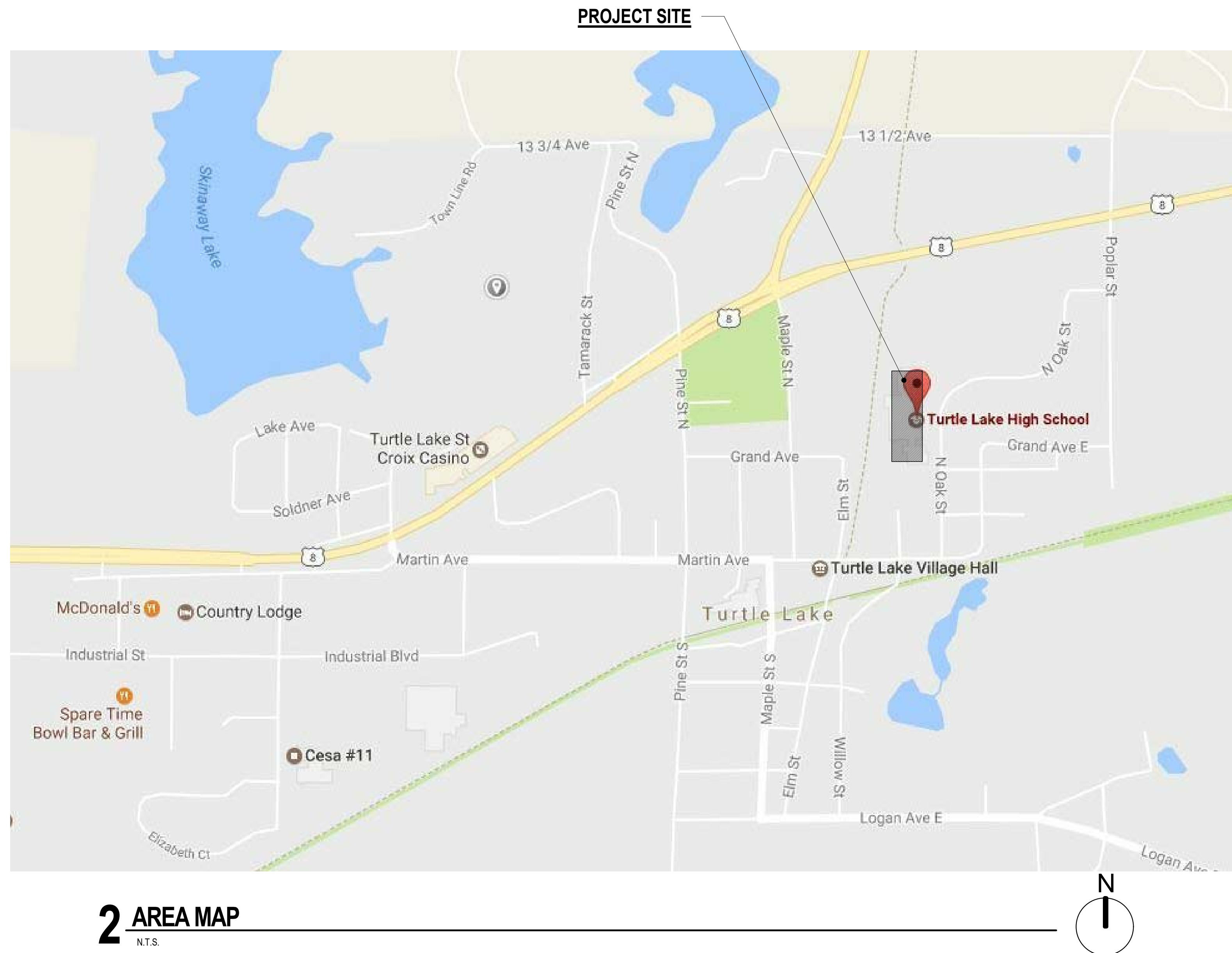


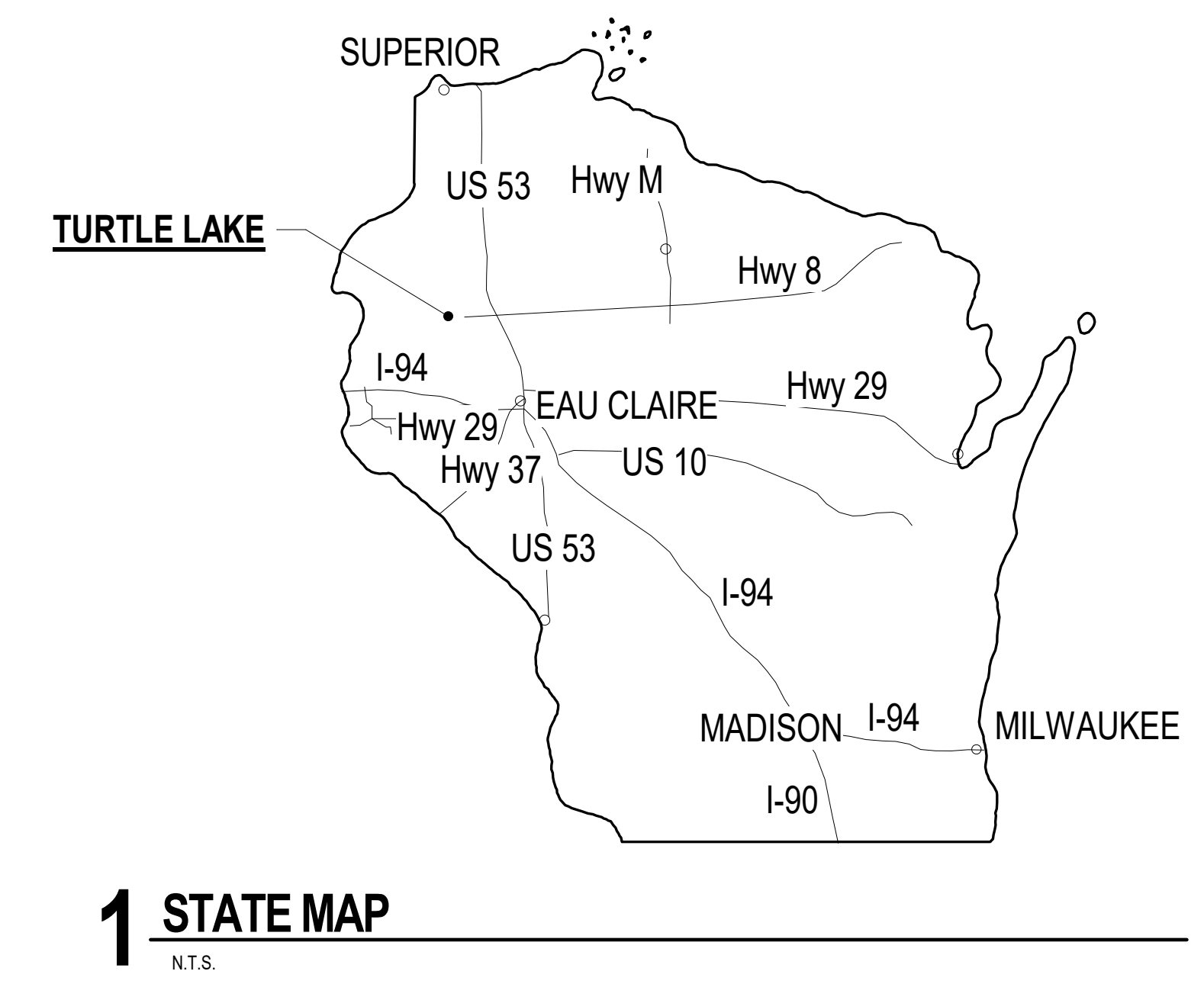
# TURTLE LAKE SCHOOL DISTRICT WINDOW & ENTRY REPLACE

205 OAK STREET NORTH  
TURTLE LAKE, WI 54889

- A101 TITLE SHEET
- A102 SITE MAP - EXISTING
  
- A201 GROUND FLOOR - OVERALL DEMOLITION PLAN
- A202 FIRST FLOOR - OVERALL DEMOLITION PLAN
- A203 GROUND FLOOR & FIRST FLOOR - AREA D DEMOLITION, DEMO. DETAILS, DEMO. WINDOW ELEVATIONS
- A204 FIRST FLOOR - AREAS F & E DEMOLITION, DEMO. DETAILS
- A205 EXTERIOR ELEVATIONS - DEMOLITION
  
- A301 GROUND FLOOR - OVERALL REMODEL PLAN
- A302 FIRST FLOOR - OVERALL REMODEL PLAN
- A303 GROUND FLOOR - AREA D REMODEL, FIRST FLOOR PLAN-AREA D REMODEL
- A304 FIRST FLOOR - AREAS E & F REMODEL, NEW ENTRY FLOOR PLAN
  
- A401 EXTERIOR ELEVATIONS - REMODEL
  
- A501 WINDOW TYPES, STOREFRONT WALL TYPES, DOOR TYPES, DETAILS, SCHEDULE
- A502 VESTIBULE SECTIONS, DETAILS, NEW ENTRY ROOF PLAN
- A503 NEW ENTRY REFLECTED CEILING PLAN, COLUMN DETAIL, STOREFRONT JAMB
  
- A901 STRUCTURAL DESIGN NOTES
- A902 FOUNDATION PLAN, ROOF FRAMING PLAN, DETAILS



**2 AREA MAP**  
N.T.S.



**1 STATE MAP**  
N.T.S.



**LIEN & PETERSON ARCHITECTS, INC.**  
 PO BOX 925  
 619 MENOMONIE STREET  
 EAU CLAIRE, WI 54703  
 TELEPHONE 715 835 7500  
 FAX 715 835 1411  
 EMAIL admin@2dip.com

TURTLE LAKE SCHOOL DISTRICT  
WINDOW & ENTRY REPLACE

205 OAK STREET NORTH  
TURTLE LAKE, WI 54889

TITLE SHEET

REVISIONS:
NO. DATE

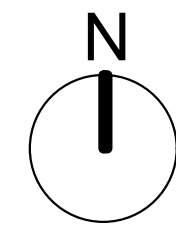
ISSUE DATE: JULY 10, 2017

**A101**

2dip PROJECT # 1730



**1 SITE MAP - EXISTING**  
1" = 10'-0"



REVISIONS:	
NO.	DATE

ISSUE DATE: JULY 10, 2017

**A102**

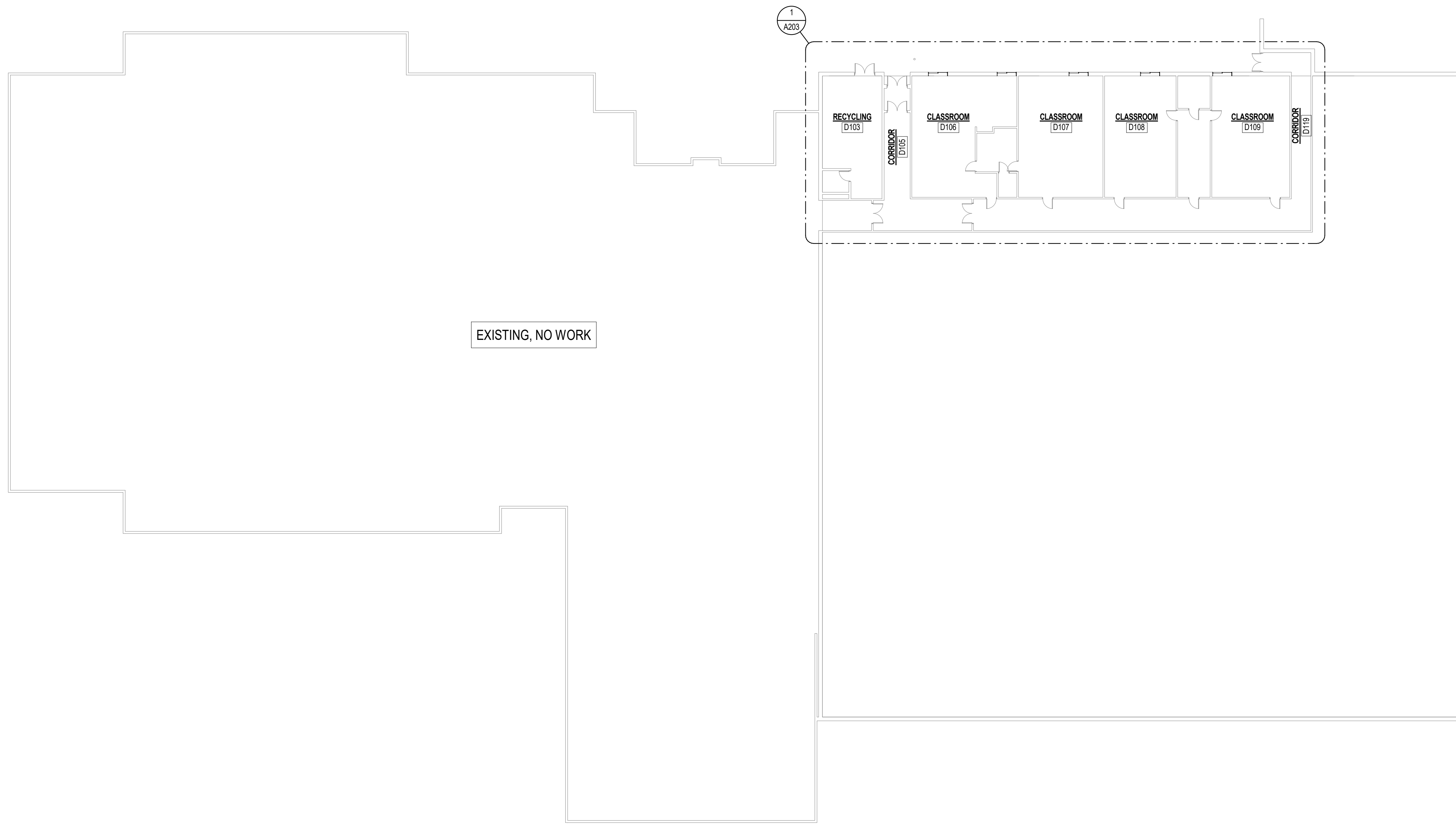
2dlp PROJECT # 1730

SITE MAP - EXISTING

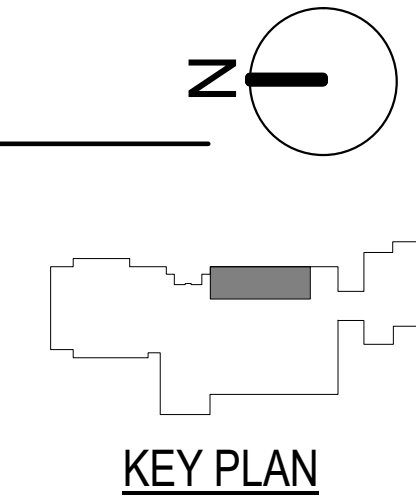
TURTLE LAKE SCHOOL DISTRICT  
WINDOW & ENTRY REPLACE  
205 OAK STREET NORTH  
TURTLE LAKE, WI 54889

**LIEN & PETERSON ARCHITECTS, INC.**  
619 MENOMONIE STREET  
EAU CLAIRE, WI 54703  
TELEPHONE 715 835 7500  
FAX 715 835 1411  
EMAIL admin@2dlp.com





**1** GROUND FLOOR - OVERALL DEMOLITION PLAN  
1" = 20'-0"



REVISIONS:	
NO.	DATE

ISSUE DATE: JULY 10, 2017

**A201**

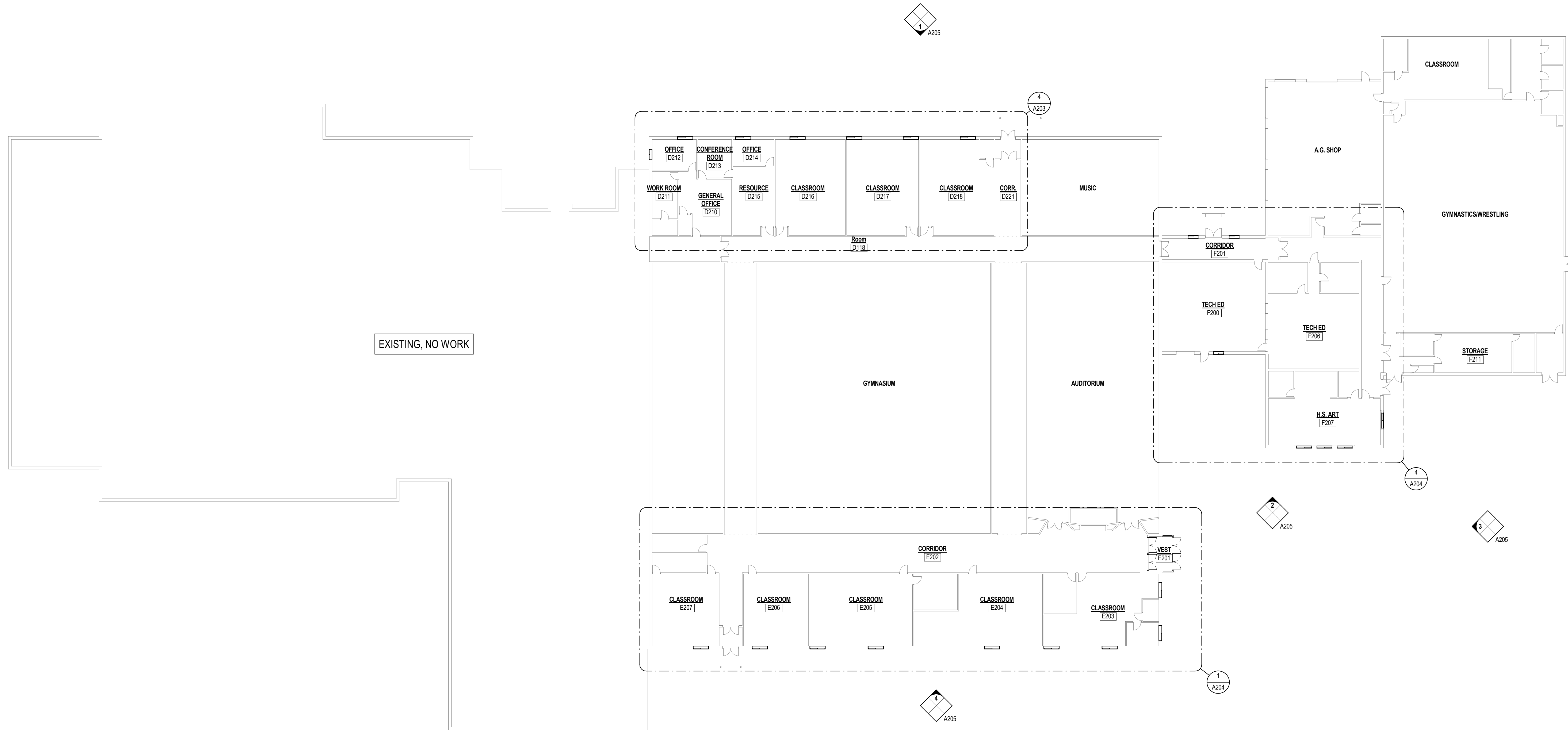
2dlp PROJECT # 1730

TURTLE LAKE SCHOOL DISTRICT  
WINDOW & ENTRY REPLACE  
205 OAK STREET NORTH  
TURTLE LAKE, WI 54889

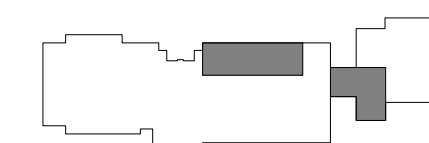
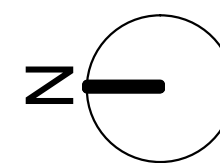
**LIEN & PETERSON ARCHITECTS, INC.**  
619 MENOMONIE STREET  
EAU CLAIRE, WI 54703  
TELEPHONE 715 835 7500  
FAX 715 835 1411  
EMAIL admin@2dlp.com



7/10/2017 3:22:08 PM



**1 FIRST FLOOR - OVERALL DEMOLITION PLAN**  
 1" = 20'-0"



KEY PLAN



**LIEN & PETERSON ARCHITECTS, INC.**  
 619 MENOMONIE STREET  
 EAU CLAIRE, WI 54703  
 TELEPHONE 715 835 7500  
 FAX 715 835 1411  
 EMAIL admin@2dip.com

TURTLE LAKE SCHOOL DISTRICT  
 WINDOW & ENTRY REPLACE  
 205 OAK STREET NORTH  
 TURTLE LAKE, WI 54889

FIRST FLOOR - OVERALL  
 DEMOLITION PLAN

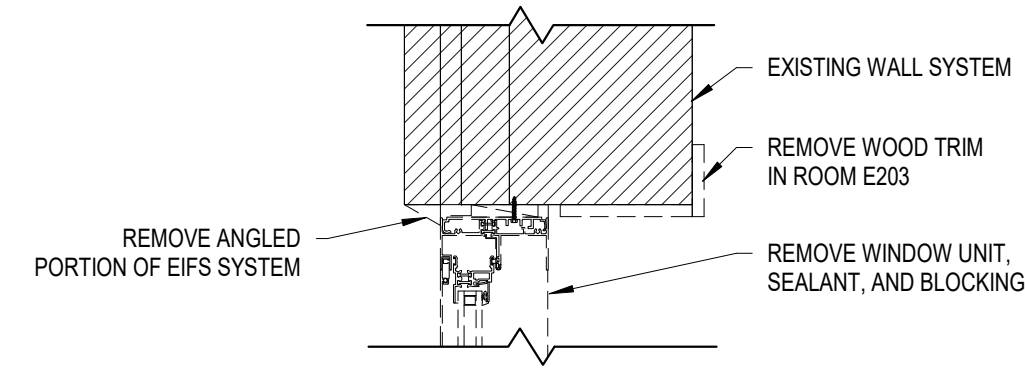
REVISIONS:  
 NO. DATE

ISSUE DATE:  
 JULY 10, 2017

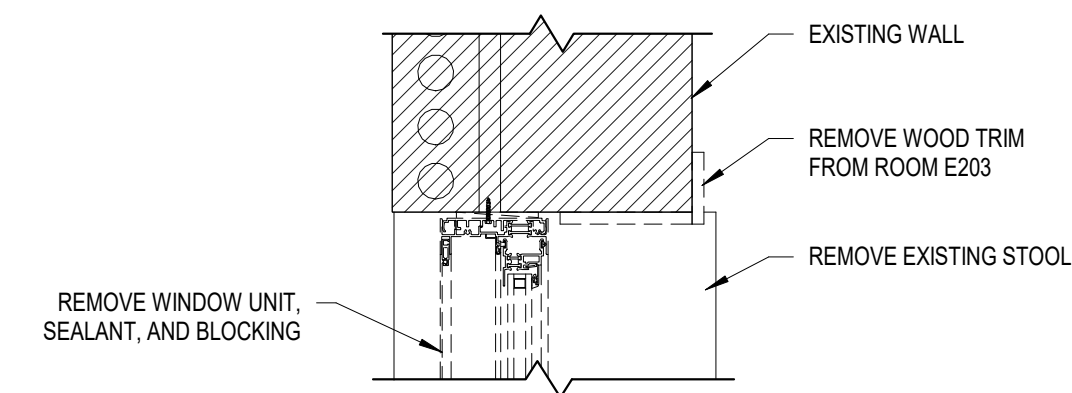
**A202**

2dip PROJECT # 1730

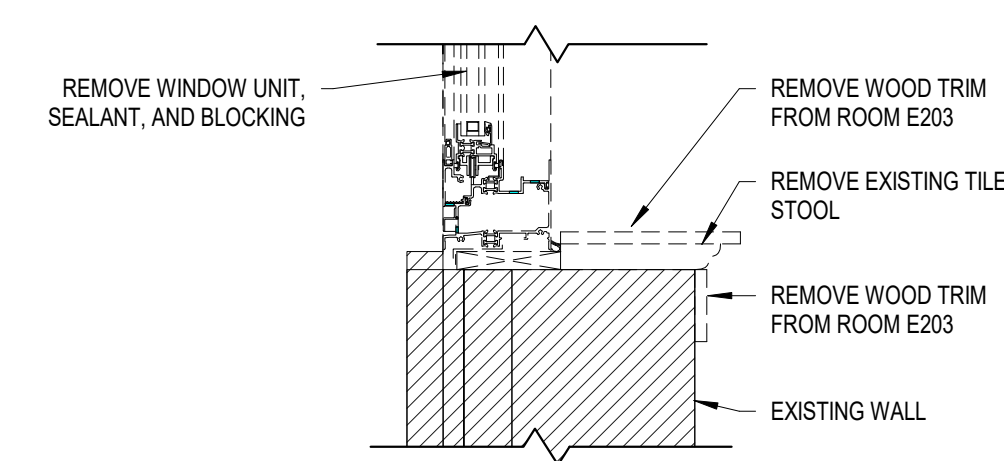
7/10/2017 3:22:09 PM



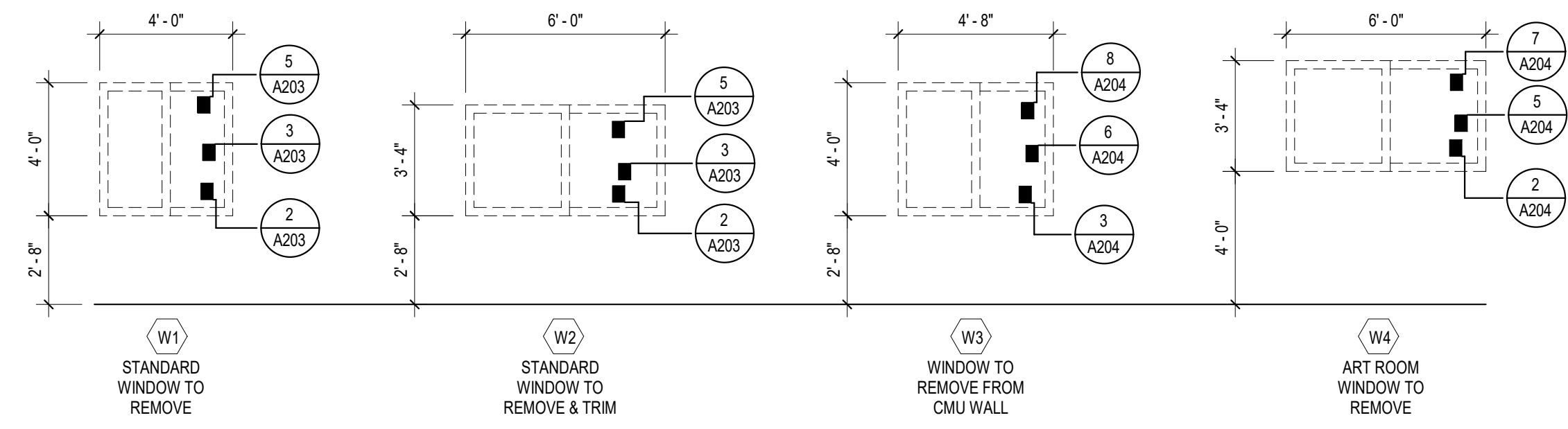
**5 DEMO. STANDARD HEAD DETAIL**  
1 1/2" = 1'-0"



**3 DEMO. STANDARD JAMB DETAIL**  
1 1/2" = 1'-0"

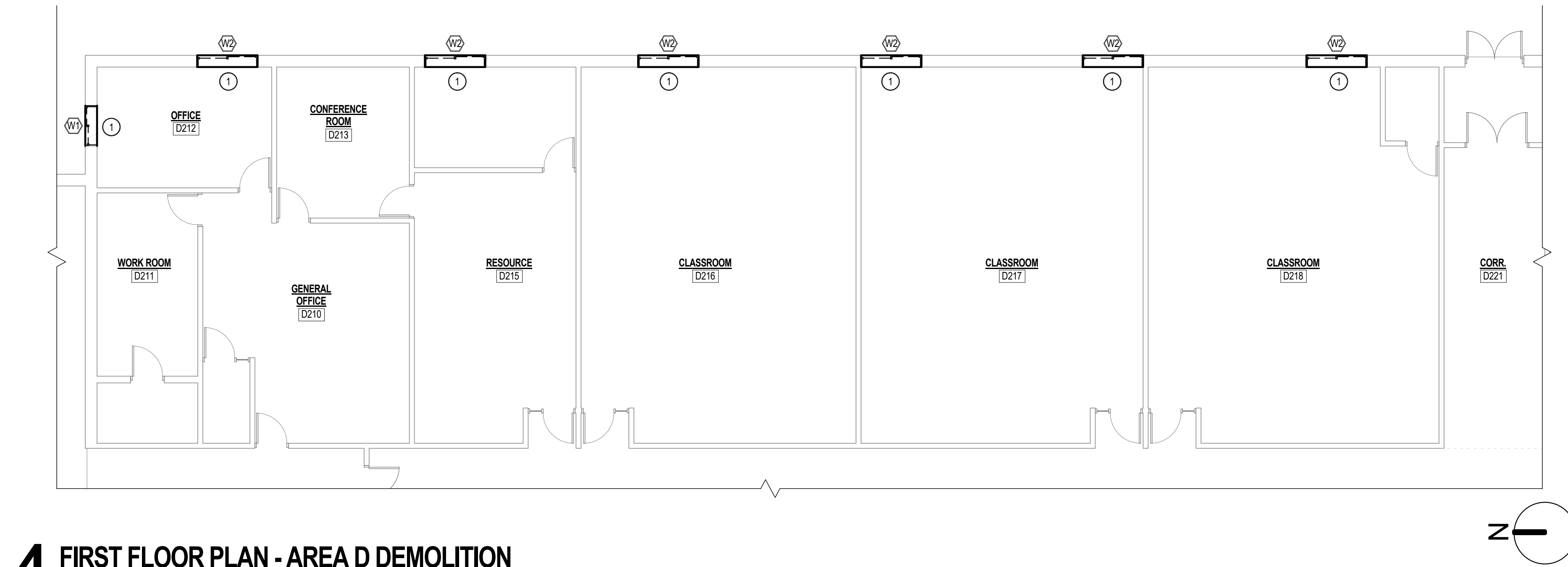


**2 DEMO. STANDARD SILL DETAIL**  
1 1/2" = 1'-0"

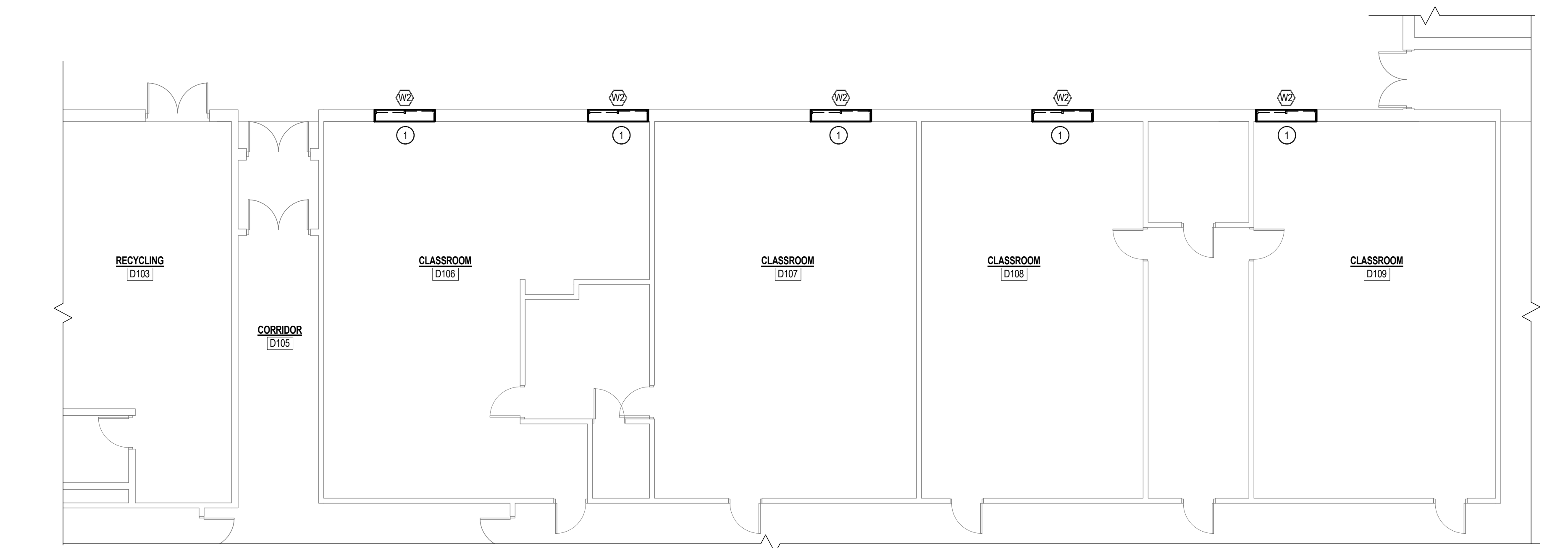


**6 DEMOLITION WINDOW TYPES**  
1/4" = 1'-0"

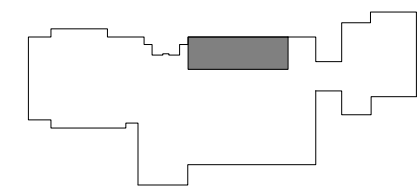
KEYED DEMOLITION NOTES	
Mark	Note
1	REMOVE EXISTING WINDOW, FRAME, AND SILL
2	REMOVE EXISTING VESTIBULE WALLS AND ROOF
3	REMOVE EXISTING DOORS
4	REMOVE EXISTING WINDOW, FRAME, WOOD RETURNS, AND SILL
5	REMOVE FLOOR SLAB
6	REMOVE SIDEWALK TO CLOSEST CONTROL JOINT



**4 FIRST FLOOR PLAN - AREA D DEMOLITION**  
1/8" = 1'-0"



**1 GROUND FLOOR PLAN - AREA D DEMOLITION**  
1/8" = 1'-0"



**LIEN & PETERSON ARCHITECTS, INC.**  
PO BOX 925  
EAU CLAIRE, WI 54703  
619 MENOMONIE STREET  
EAU CLAIRE, WI 54703  
TELEPHONE 715 835 7500  
FAX 715 835 1411  
EMAIL admin@2dip.com

TURTLE LAKE SCHOOL DISTRICT  
WINDOW & ENTRY REPLACE  
205 OAK STREET NORTH  
TURTLE LAKE, WI 54889

GROUND FLOOR & FIRT  
FLOOR - AREA D  
DEMOLITION, DEMO.  
DETAILS, DEMO. WINDOW  
ELEVATIONS

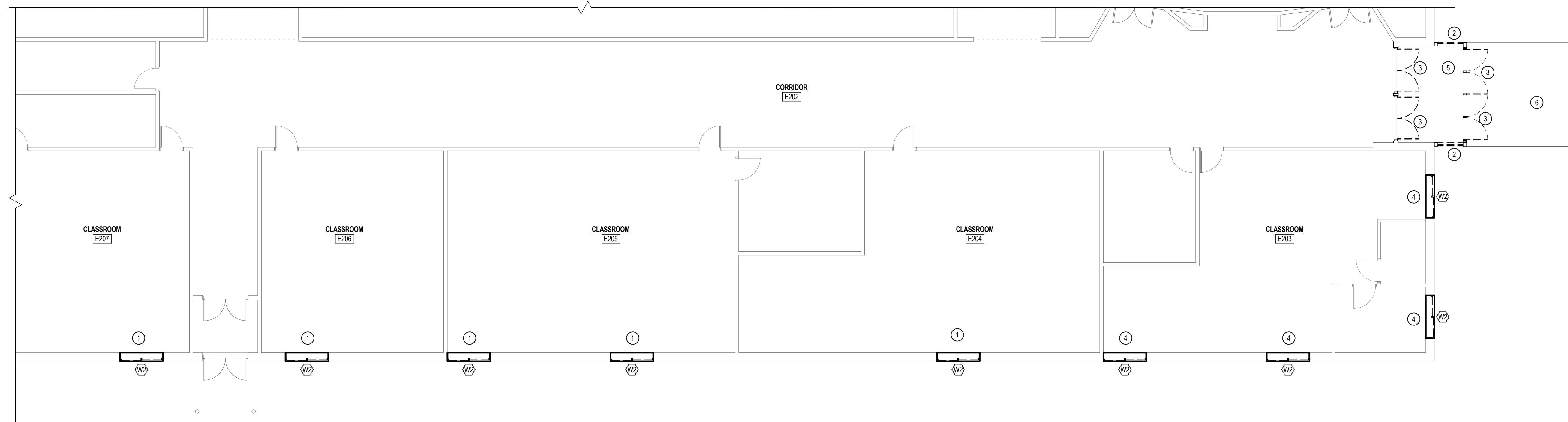
REVISIONS:
NO. DATE

ISSUE DATE: JULY 10, 2017

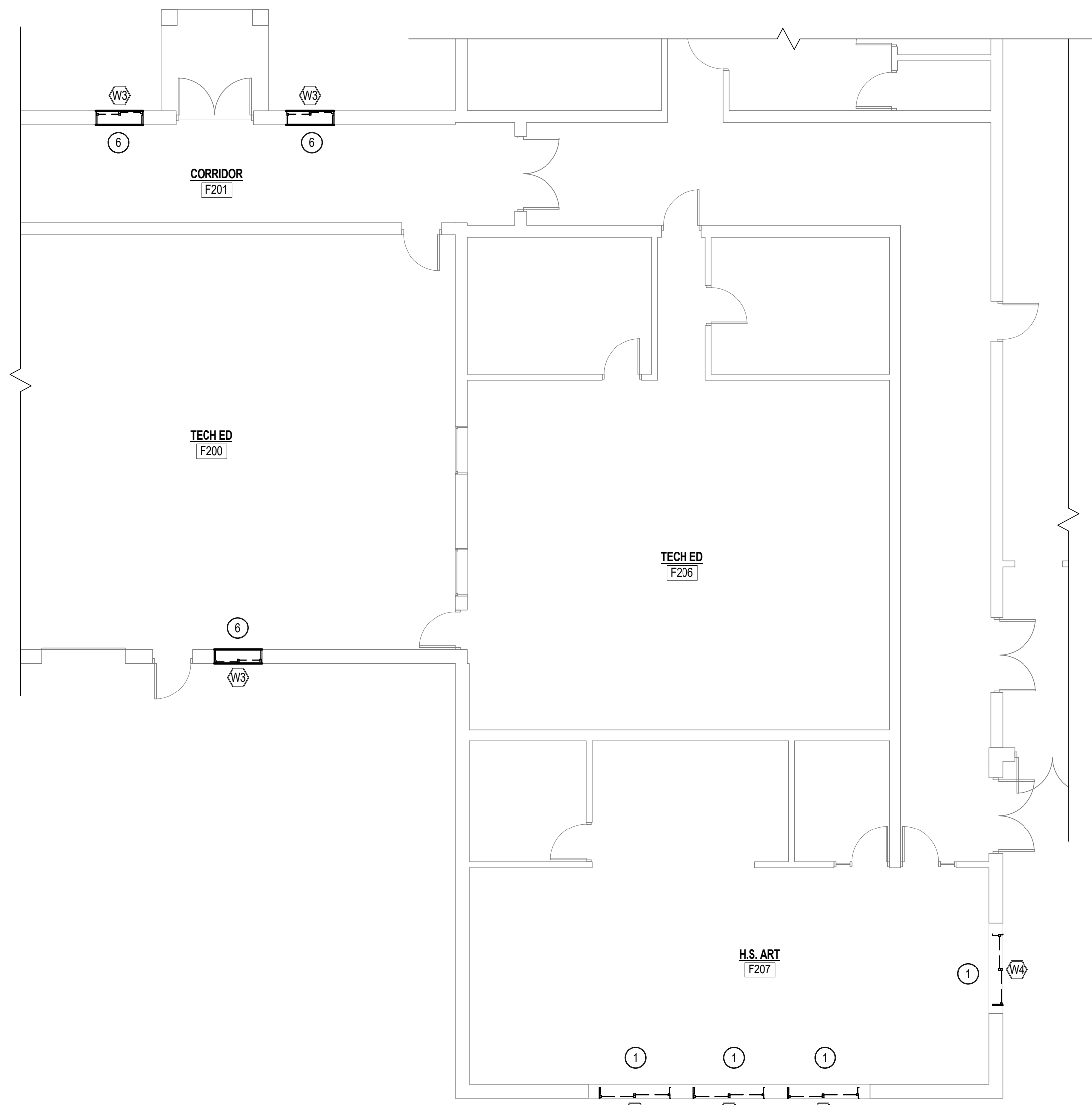
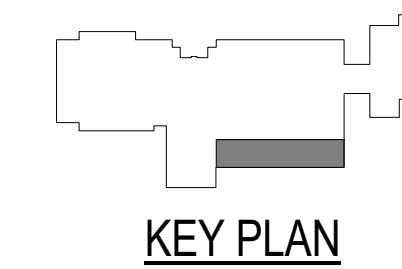
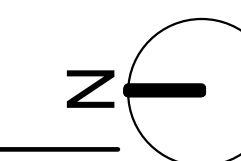
**A203**

2dip PROJECT # 1730

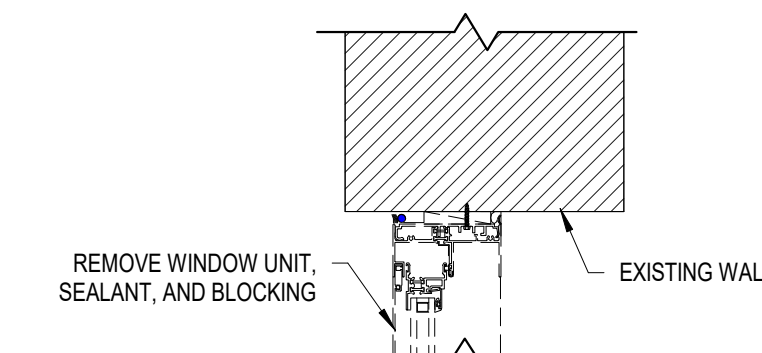
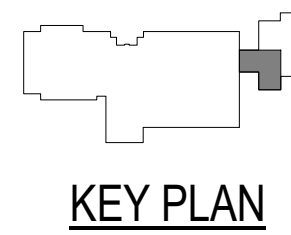
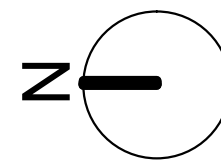
7/10/2017 3:22:10 PM



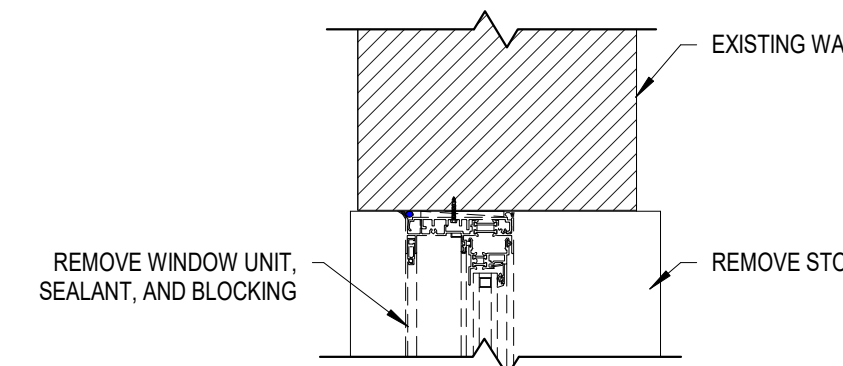
**1 FIRST FLOOR PLAN - AREA E DEMOLITION**  
1/8" = 1'-0"



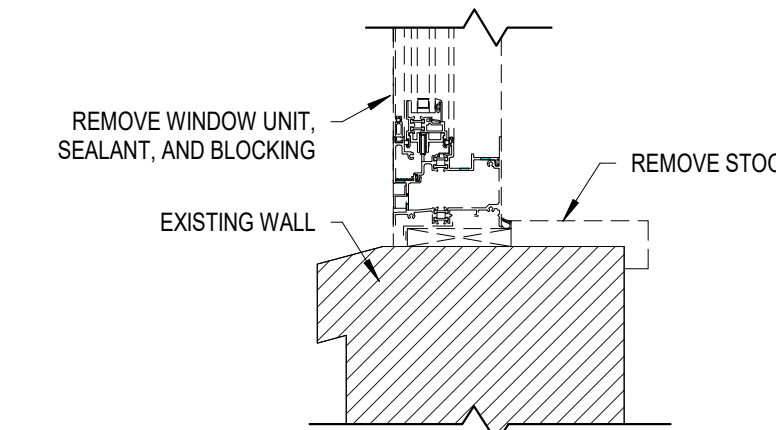
**4 FIRST FLOOR PLAN - AREA F DEMOLITION**  
1/8" = 1'-0"



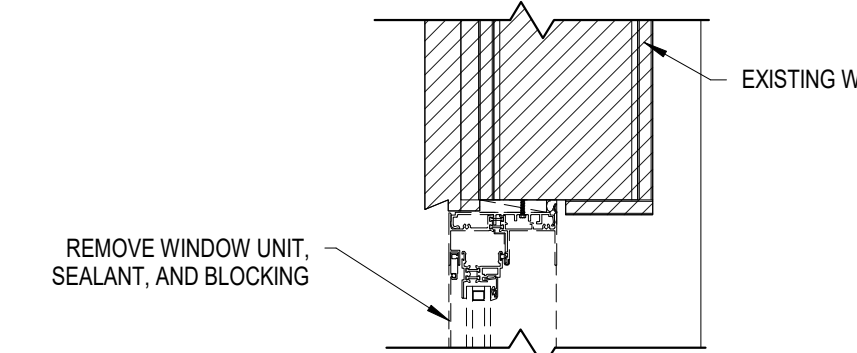
**8 DEMO. CMU HEAD DETAIL**  
1 1/2" = 1'-0"



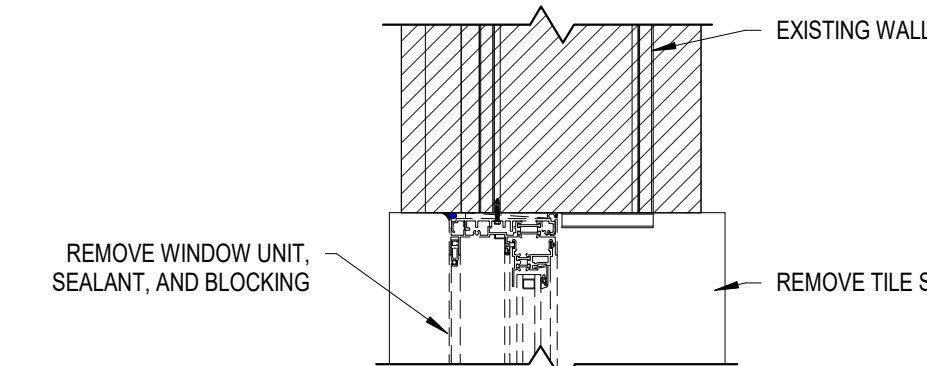
**6 DEMO. CMU JAMB DETAIL**  
1 1/2" = 1'-0"



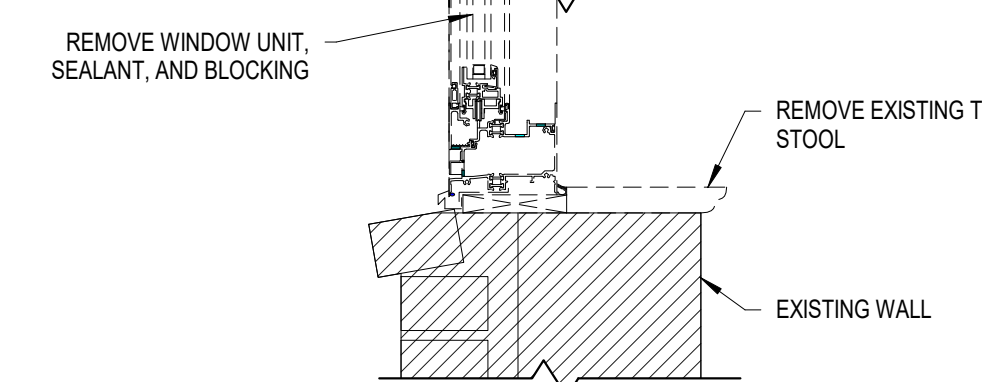
**3 DEMO. CMU SILL DETAIL**  
1 1/2" = 1'-0"



**7 DEMO. ART ROOM HEAD DETAIL**  
1 1/2" = 1'-0"



**5 DEMO. ART ROOM JAMB DETAIL**  
1 1/2" = 1'-0"



**2 DEMO. ART ROOM SILL DETAIL**  
1 1/2" = 1'-0"

KEYED DEMOLITION NOTES	
Mark	Note
1	REMOVE EXISTING WINDOW, FRAME, AND SILL
2	REMOVE EXISTING VESTIBULE WALLS AND ROOF
3	REMOVE EXISTING DOORS
4	REMOVE EXISTING WINDOW, FRAME, WOOD RETURNS, AND SILL
5	REMOVE FLOOR SLAB
6	REMOVE SIDEWALK TO CLOSEST CONTROL JOINT

**2dip**  
LIEN & PETERSON ARCHITECTS, INC.  
PO BOX 925  
EAU CLAIRE, WI 54703  
619 MENOMONIE STREET  
EAU CLAIRE, WI 54703  
TELEPHONE 715 835 7500  
FAX 715 835 1411  
EMAIL admin@2dip.com

TURTLE LAKE SCHOOL DISTRICT  
WINDOW & ENTRY REPLACE  
205 OAK STREET NORTH  
TURTLE LAKE, WI 54889

FIRST FLOOR - AREAS F & E DEMOLITION, DEMO. DETAILS

REVISIONS:
NO. DATE

ISSUE DATE: JULY 10, 2017

**A204**

2dip PROJECT # 1730



**LIEN & PETERSON ARCHITECTS, INC.**  
 PO BOX 925  
 619 MENOMONIE STREET  
 EAU CLAIRE, WI 54703  
 TELEPHONE 715 835 7500  
 FAX 715 835 1411  
 EMAIL admin@2dip.com

TURTLE LAKE SCHOOL DISTRICT  
 WINDOW & ENTRY REPLACE  
 205 OAK STREET NORTH  
 TURTLE LAKE, WI 54889

EXTERIOR ELEVATIONS -  
 DEMOLITION

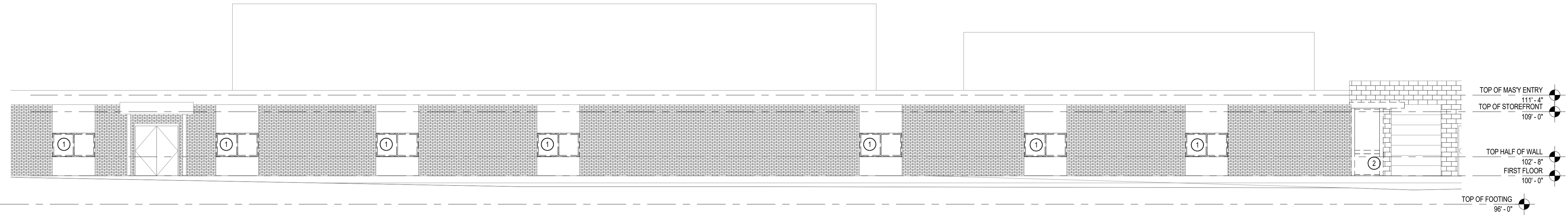
REVISIONS:	NO.	DATE

ISSUE DATE: JULY 10, 2017

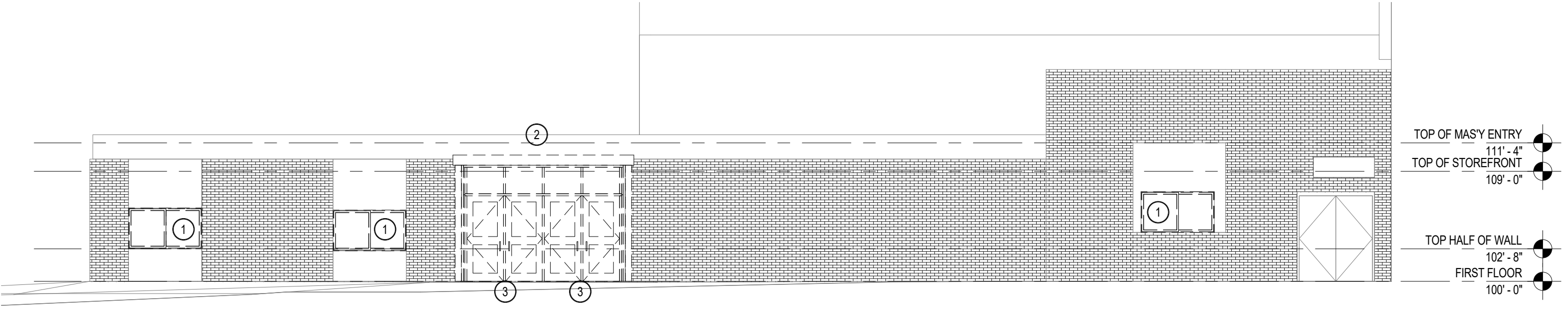
**A205**

2dip PROJECT # 1730

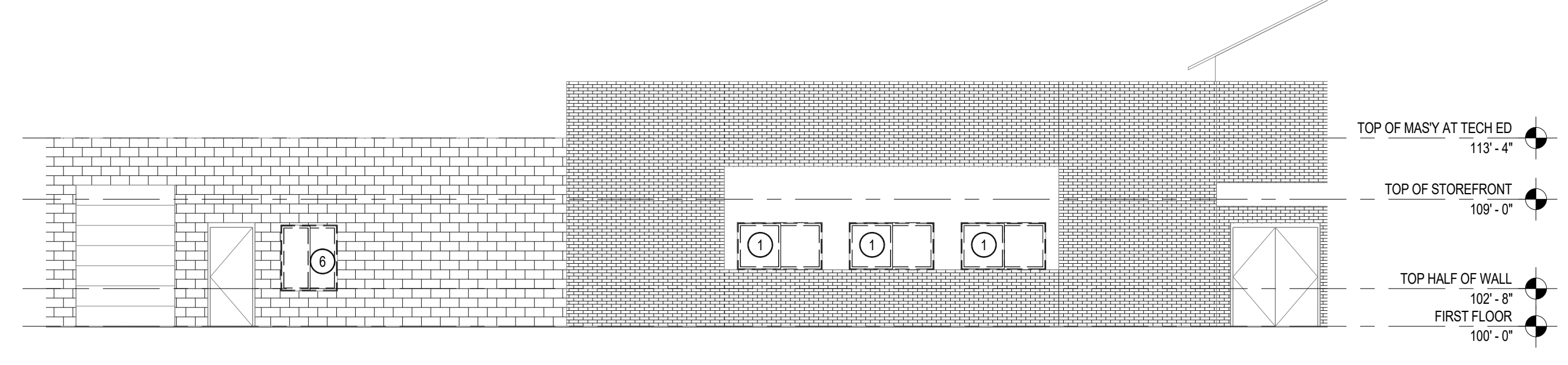
KEYED DEMOLITION NOTES	
Mark	Note
1	REMOVE EXISTING WINDOW, FRAME, AND SILL
2	REMOVE EXISTING VESTIBULE WALLS AND ROOF
3	REMOVE EXISTING DOORS
4	REMOVE EXISTING WINDOW, FRAME, WOOD RETURNS, AND SILL
5	REMOVE FLOOR SLAB
6	REMOVE SIDEWALK TO CLOSEST CONTROL JOINT



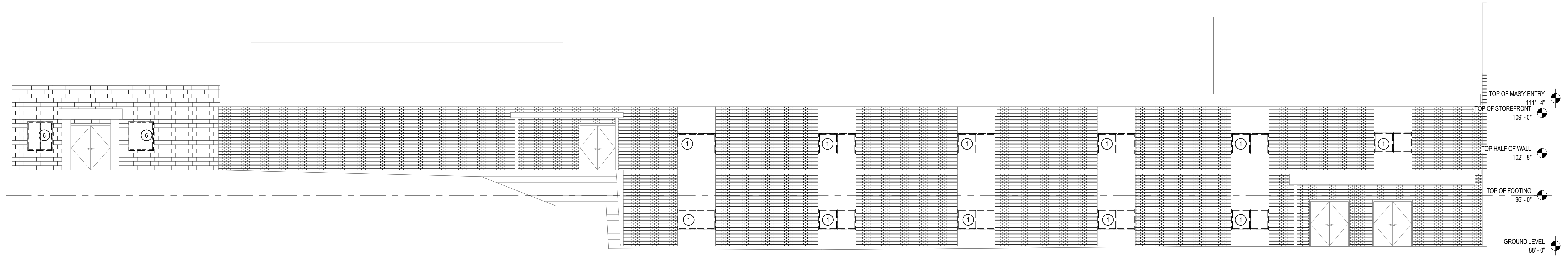
**4 ELEVATION WEST CLASSROOMS - DEMOLITION**  
 1/8" = 1'-0"



**3 ELEVATION SOUTH - DEMOLITION**  
 1/8" = 1'-0"



**2 ELEVATION WEST ART/TECH ROOMS - DEMOLITION**  
 1/8" = 1'-0"

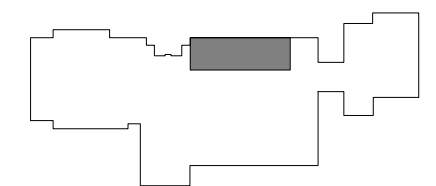
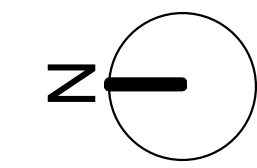


**1 ELEVATION EAST - DEMOLITION**  
 1/8" = 1'-0"

7/10/2017 3:22:12 PM



**1 GROUND FLOOR - OVERALL REMODEL PLAN**  
 1" = 20'-0"



KEY PLAN

REVISIONS:	
NO.	DATE

ISSUE DATE: JULY 10, 2017

**A301**

GROUND FLOOR -  
OVERALL REMODEL PLAN

TURTLE LAKE SCHOOL DISTRICT  
WINDOW & ENTRY REPLACE  
205 OAK STREET NORTH  
TURTLE LAKE, WI 54889

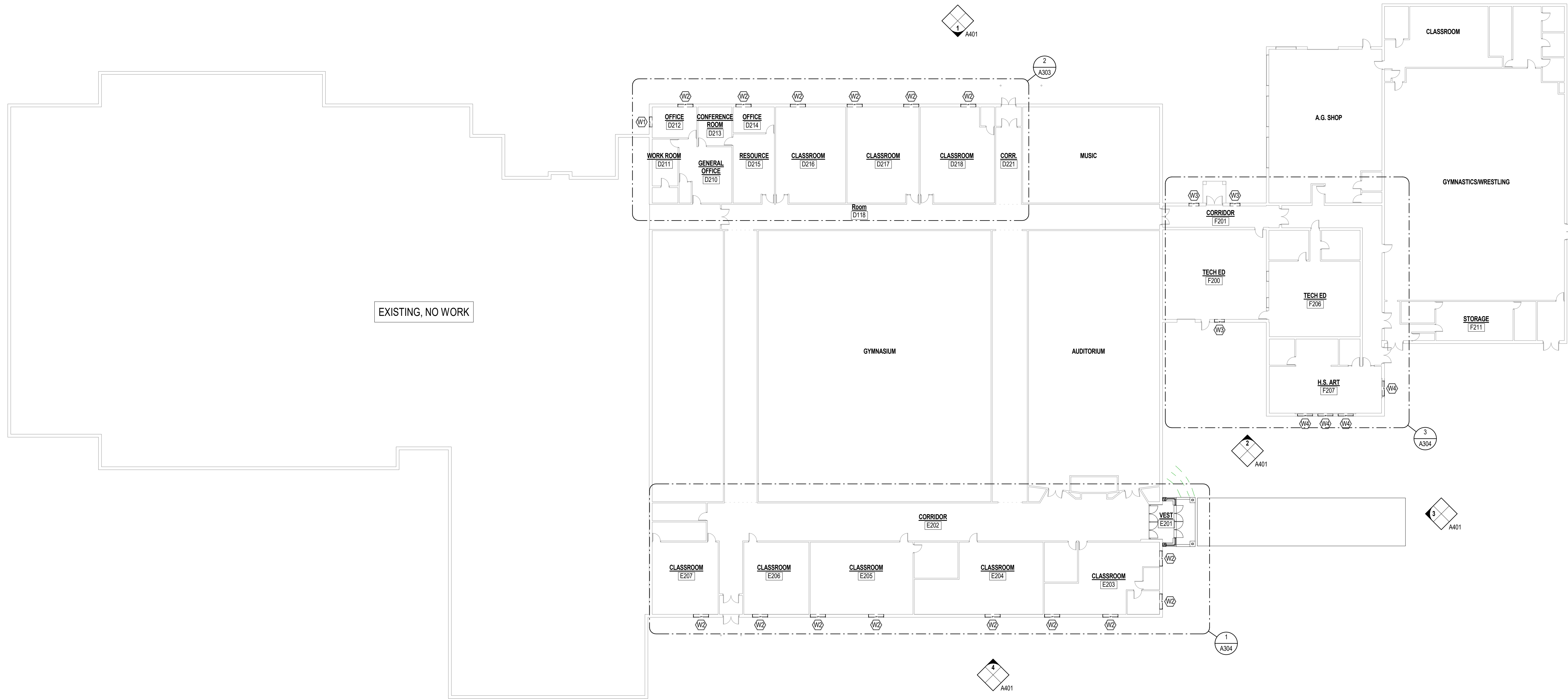
LIEN & PETERSON ARCHITECTS, INC.  
619 MENOMONIE STREET  
EAU CLAIRE, WI 54703  
TELEPHONE 715 835 7500  
FAX 715 835 1411  
EMAIL admin@2djp.com



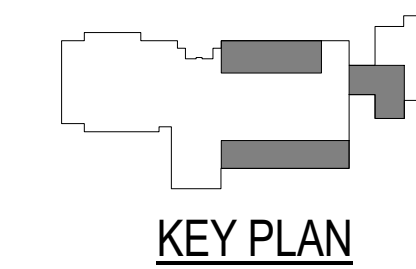
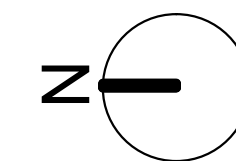
LIEN & PETERSON ARCHITECTS, INC.  
PO BOX 925  
EAU CLAIRE, WI 54703  
TELEPHONE 715 835 7500  
FAX 715 835 1411  
EMAIL admin@2djp.com



7/10/2017 3:22:12 PM



**1 FIRST FLOOR - OVERALL REMODEL PLAN**  
1" = 20'-0"



KEY PLAN

**LIEN & PETERSON ARCHITECTS, INC.**  
 619 MENOMONIE STREET  
 EAU CLAIRE, WI 54703  
 TELEPHONE 715 835 7500  
 FAX 715 835 1411  
 EMAIL admin@2dip.com

TURTLE LAKE SCHOOL DISTRICT  
 WINDOW & ENTRY REPLACE  
 205 OAK STREET NORTH  
 TURTLE LAKE, WI 54889

FIRST FLOOR - OVERALL  
 REMODEL PLAN

REVISIONS:	NO.	DATE

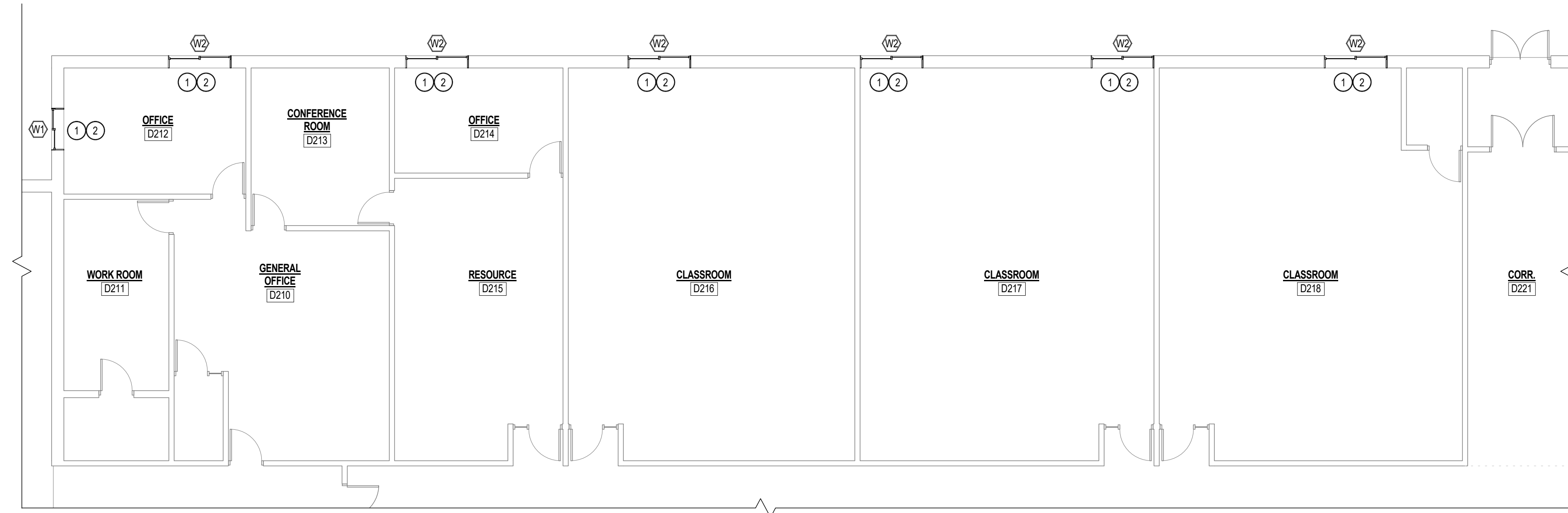
ISSUE DATE: JULY 10, 2017

**A302**

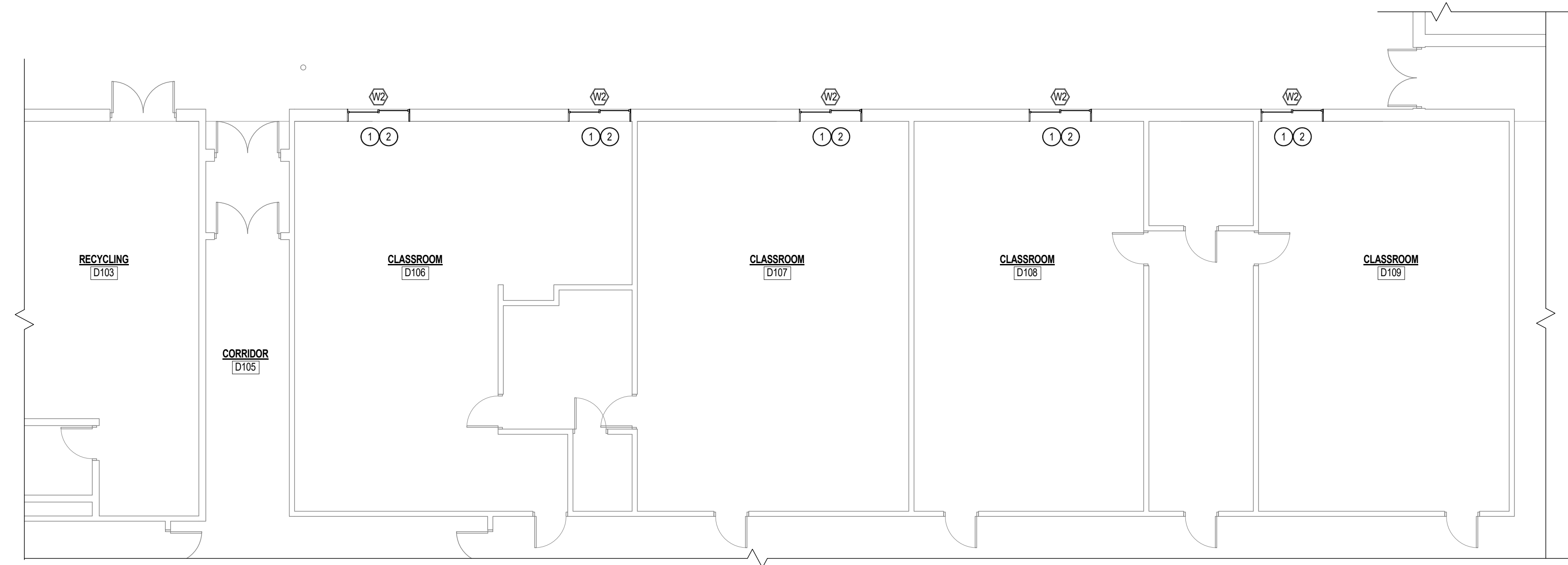
2dip PROJECT # 1730

7/10/2017 3:22:12 PM

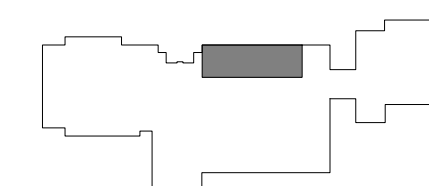
KEYED FLOOR PLAN NOTES	
Mark	Note
1	NEW SILL
2	CAULK AND TOUCH UP PAINT AT INTERIOR



**2 FIRST FLOOR PLAN - AREA D REMODEL**  
1/8" = 1'-0"



**1 GROUND FLOOR PLAN - AREA D REMODEL**  
1/8" = 1'-0"



KEY PLAN



**LIEN & PETERSON ARCHITECTS, INC.**  
PO BOX 925  
EAU CLAIRE, WI 54703  
619 MENOMONIE STREET  
TELEPHONE 715 835 7500  
FAX 715 835 1411  
EMAIL admin@2dip.com

TURTLE LAKE SCHOOL DISTRICT  
WINDOW & ENTRY REPLACE  
205 OAK STREET NORTH  
TURTLE LAKE, WI 54889

GROUND FLOOR - AREA D  
REMODEL, FIRST FLOOR  
PLAN-AREA D REMODEL

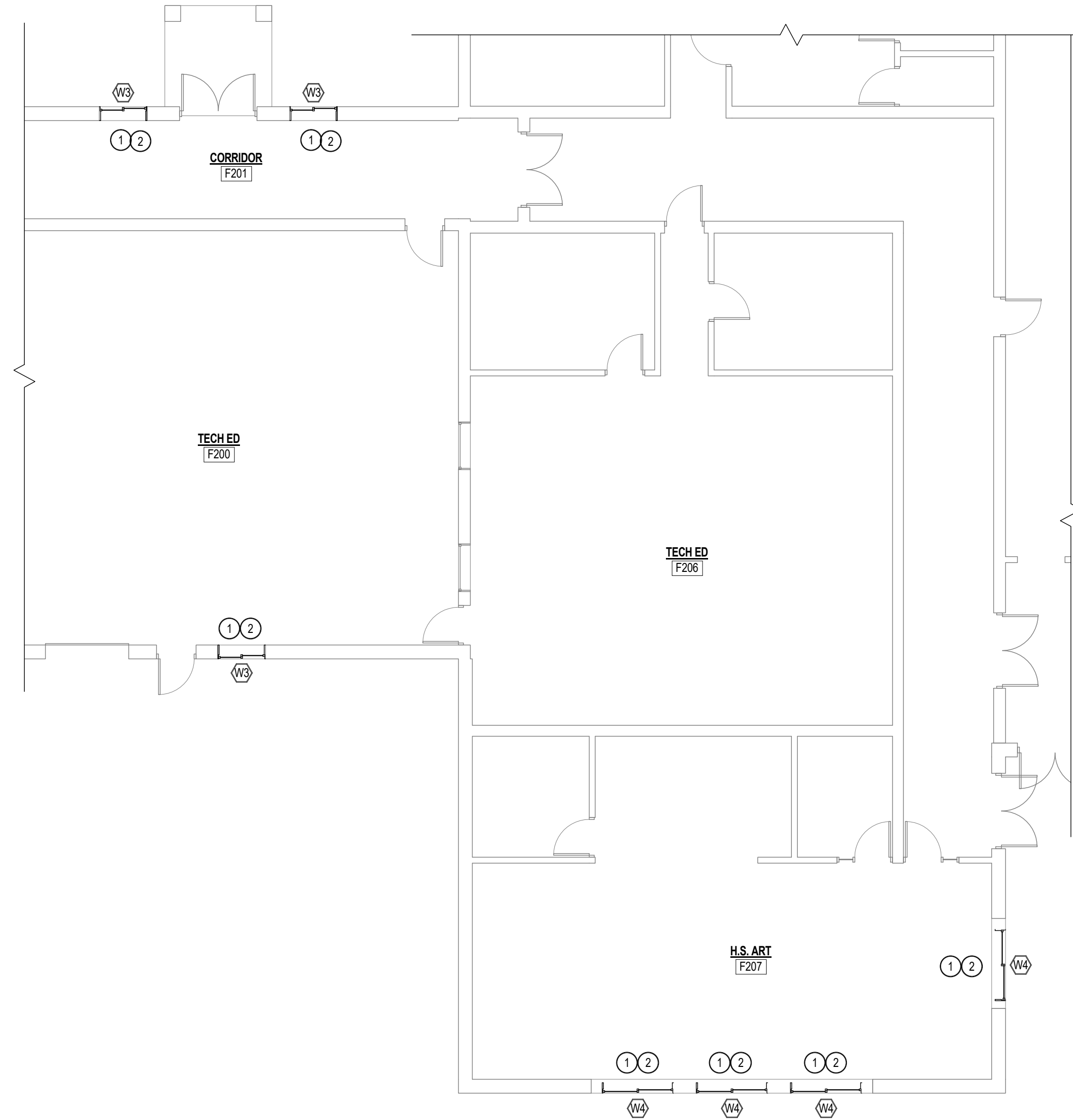
REVISIONS:	
NO.	DATE

ISSUE DATE:  
JULY 10, 2017

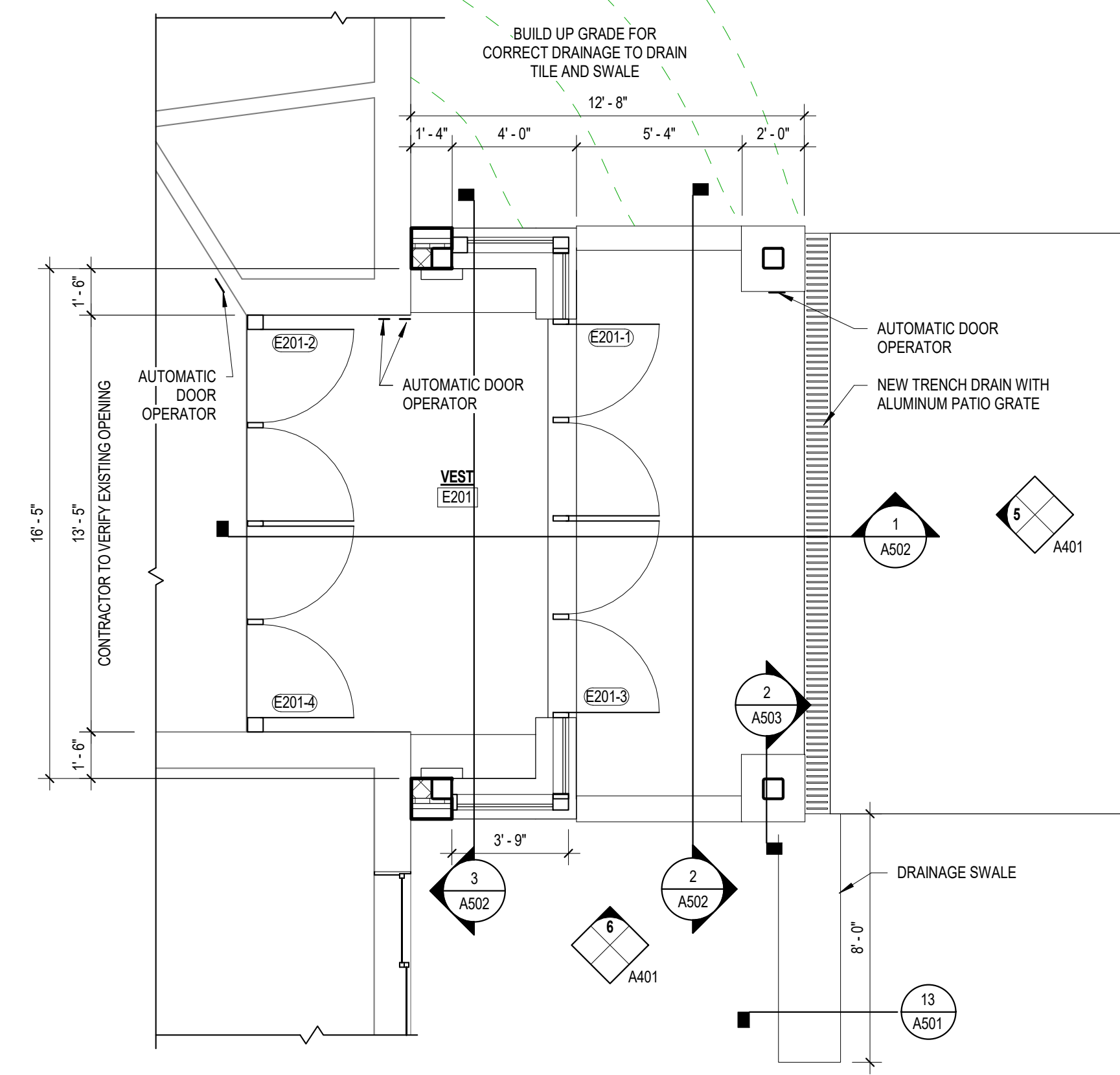
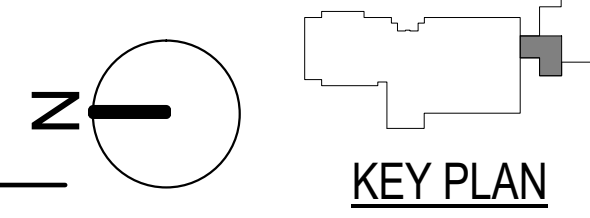
**A303**

2dip PROJECT # 1730

7/10/2017 3:22:13 PM

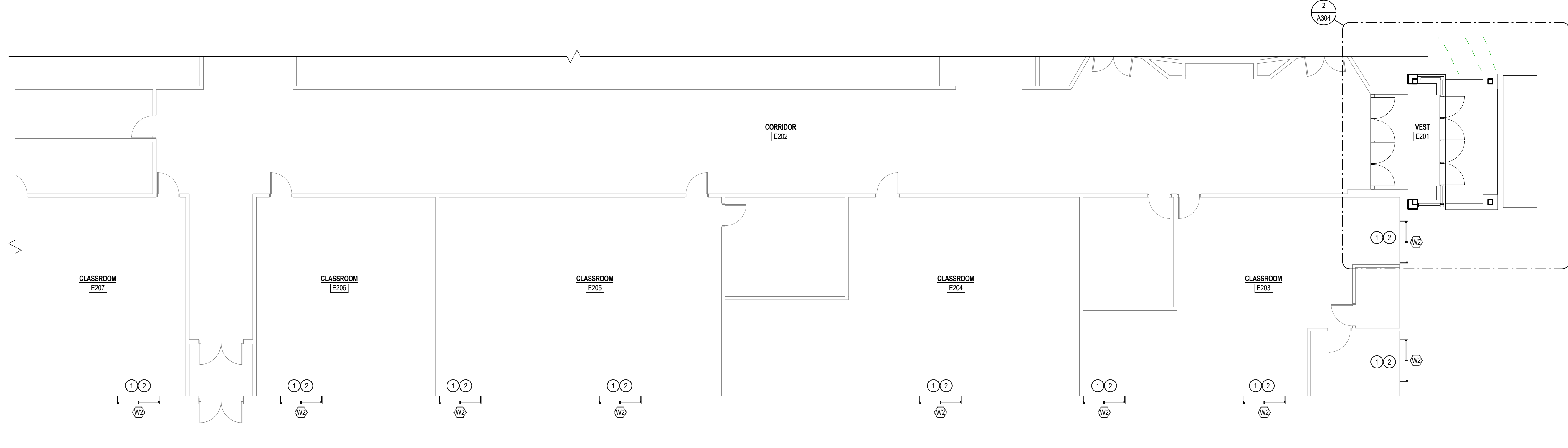


**3 FIRST FLOOR PLAN - AREA F REMODEL**  
1/8" = 1'-0"

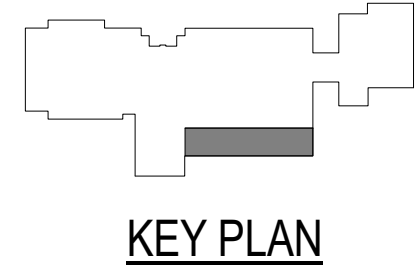


**2 NEW ENTRY FLOOR PLAN**  
1/4" = 1'-0"

KEYED FLOOR PLAN NOTES	
Mark	Note
1	NEW SILL
2	CAULK AND TOUCH UP PAINT AT INTERIOR



**1 FIRST FLOOR PLAN - AREA E REMODEL**  
1/8" = 1'-0"



**LIEN & PETERSON ARCHITECTS, INC.**  
 PO BOX 925  
 619 MENOMONIE STREET  
 EAU CLAIRE, WI 54703  
 TELEPHONE 715 835 7500  
 FAX 715 835 1411  
 EMAIL admin@2dip.com

TURTLE LAKE SCHOOL DISTRICT  
 WINDOW & ENTRY REPLACE  
 205 OAK STREET NORTH  
 TURTLE LAKE, WI 54889

FIRST FLOOR - AREAS E & F REMODEL, NEW ENTRY FLOOR PLAN

REVISIONS:
NO. DATE

ISSUE DATE: JULY 10, 2017

**A304**

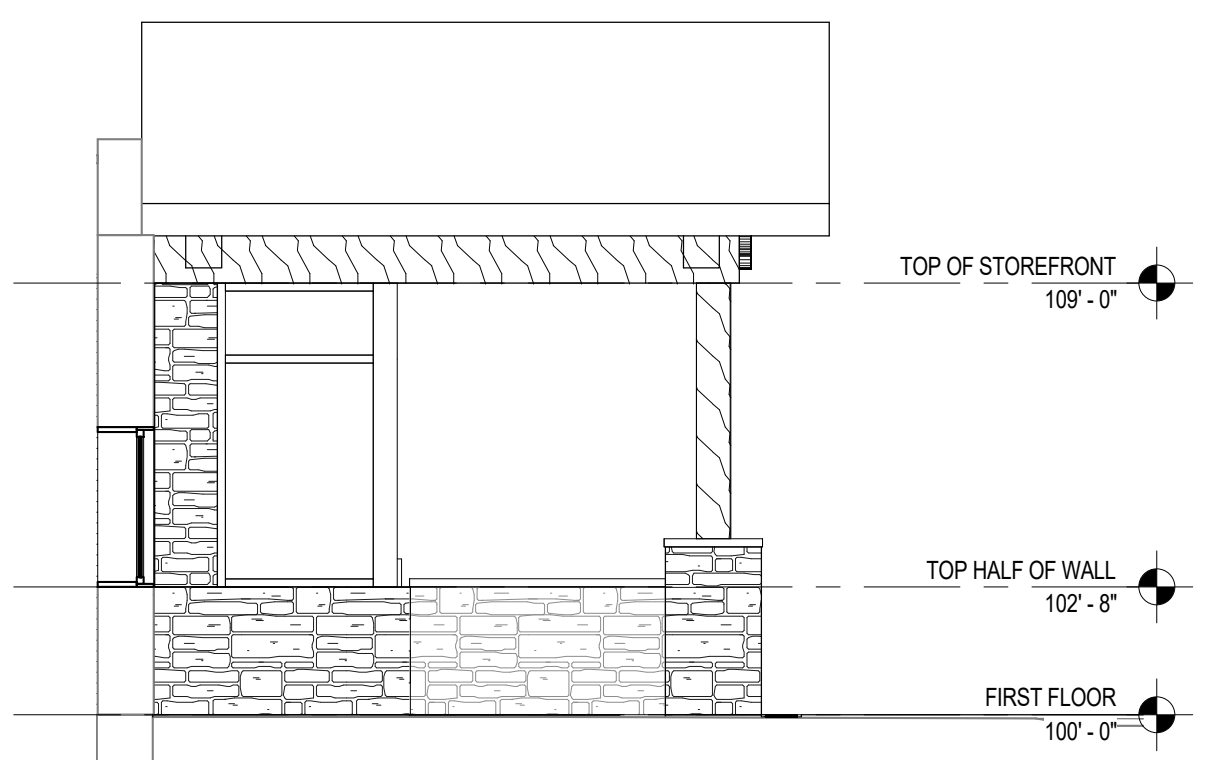
2dip PROJECT # 1730

REVISIONS:  
 NO. DATE


ISSUE DATE: JULY 10, 2017

**A401**

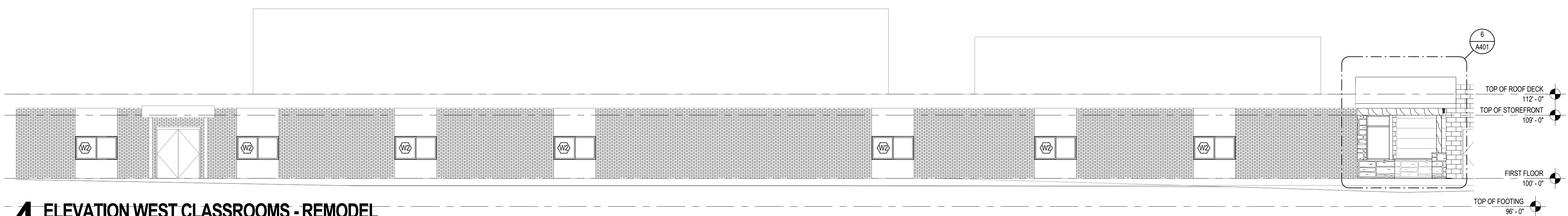
2dip PROJECT # 1730



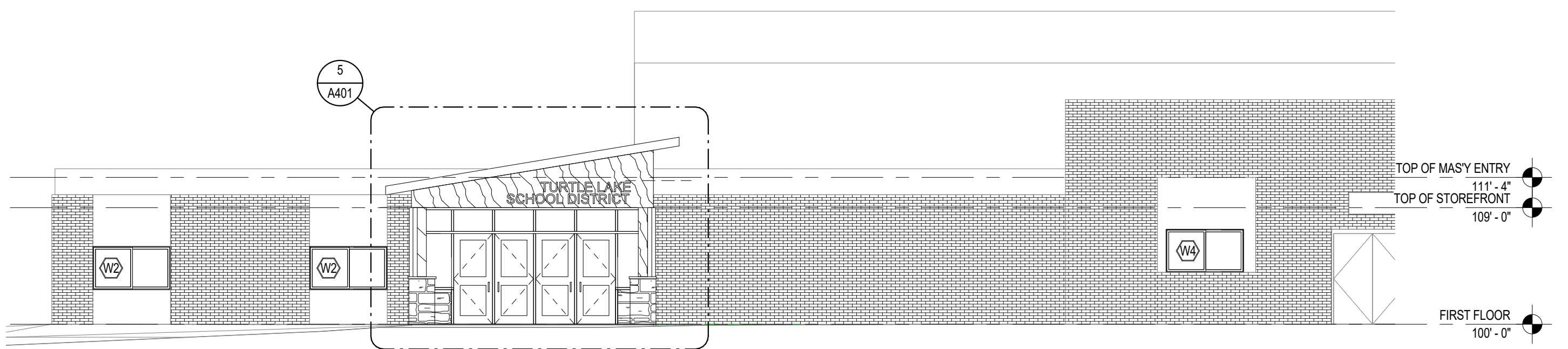
**6 ENTRY - SIDE ELEVATION**  
 1/4" = 1'-0"



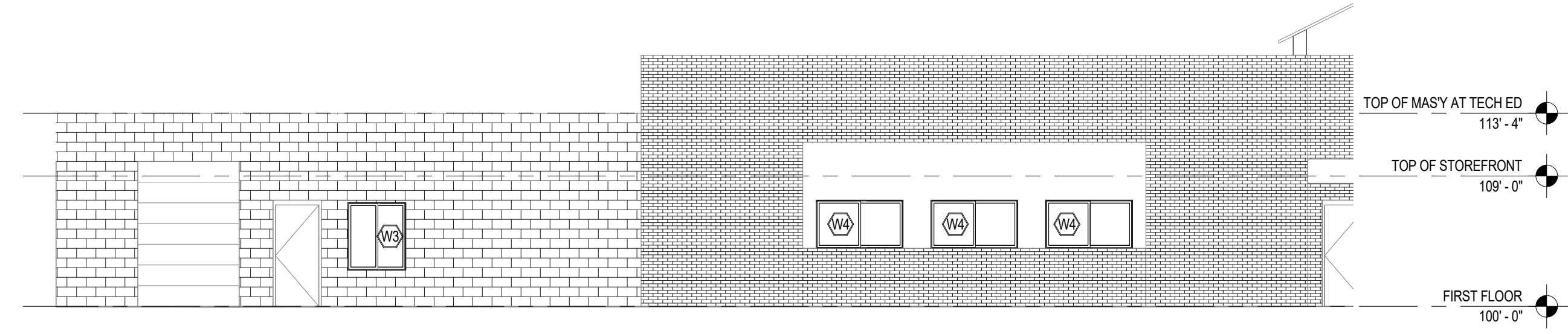
**5 ENTRY - FRONT ELEVATION**  
 1/4" = 1'-0"



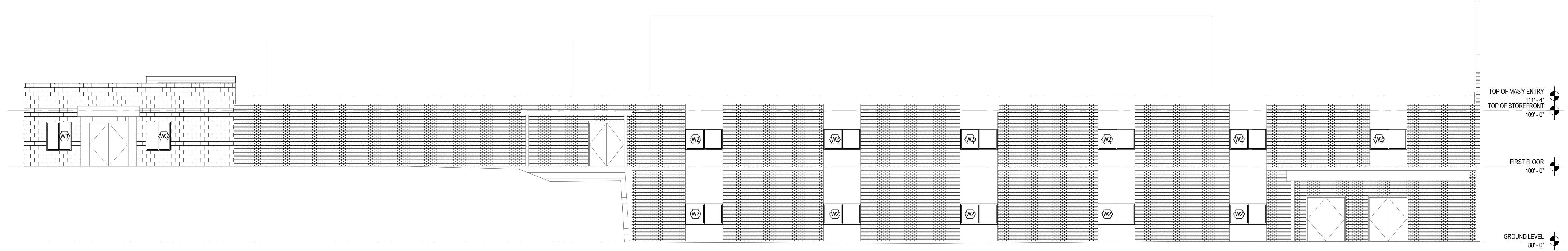
**4 ELEVATION WEST CLASSROOMS - REMODEL**  
 1/8" = 1'-0"



**3 ELEVATION SOUTH - REMODEL**  
 1/8" = 1'-0"

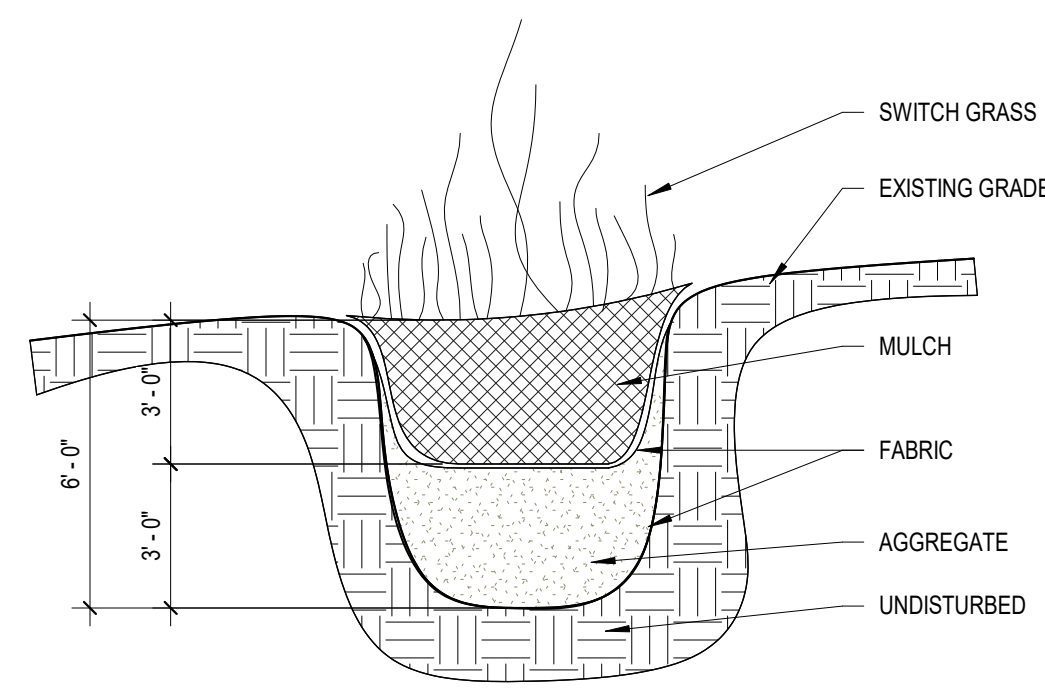


**2 ELEVATION WEST ART/TECH ROOMS - REMODEL**  
 1/8" = 1'-0"

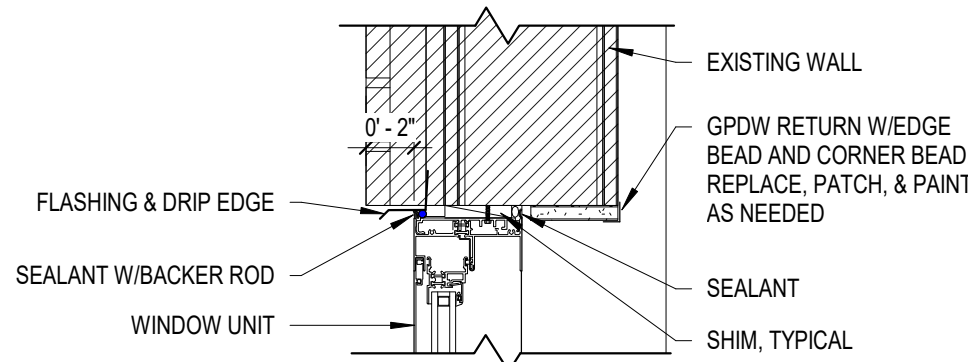


**1 ELEVATION EAST - REMODEL**  
 1/8" = 1'-0"

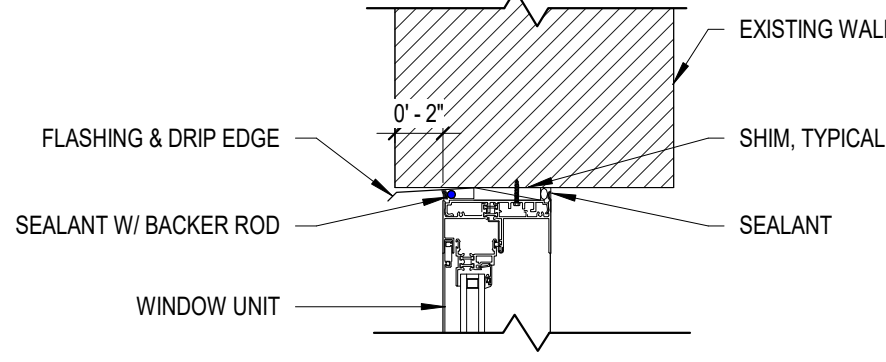
7/10/2017 3:22:15 PM



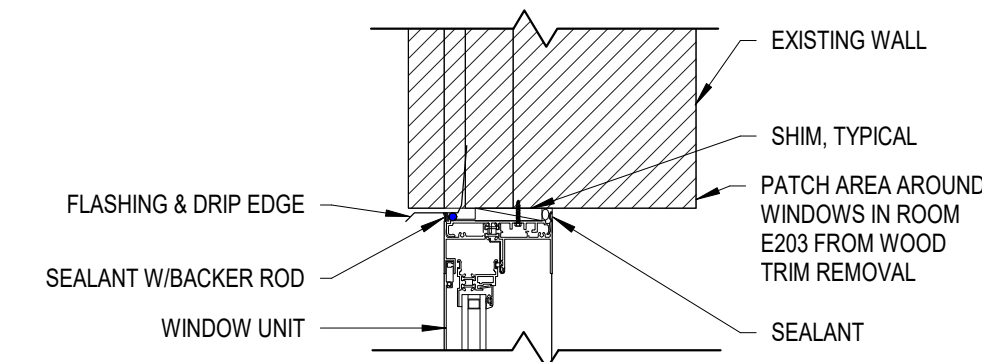
**13 RAIN GARDEN DETAIL**  
1/4" = 1'-0"



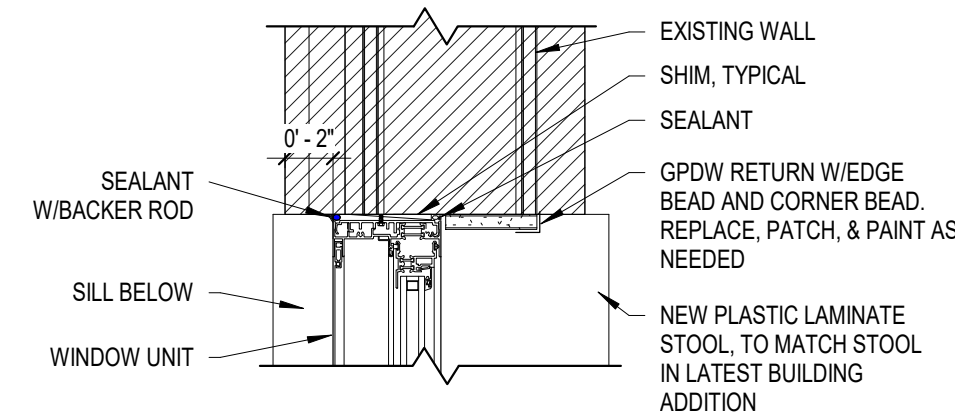
**12 ART ROOM HEAD DETAIL**  
1 1/2" = 1'-0"



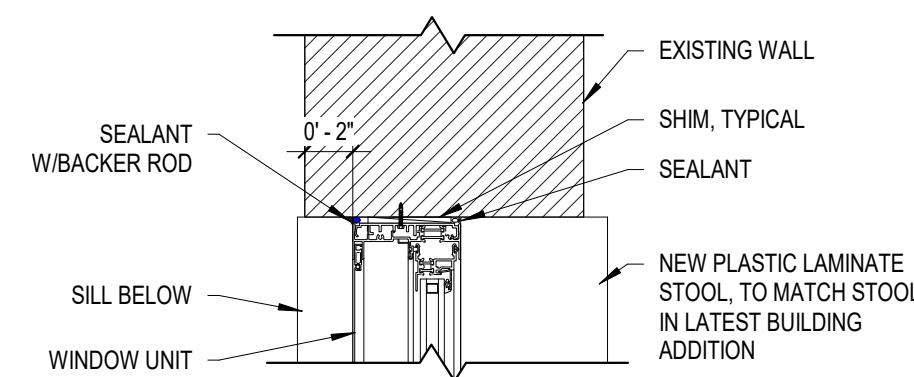
**11 TYP. EXIST. CMU HEAD DETAIL**  
1 1/2" = 1'-0"



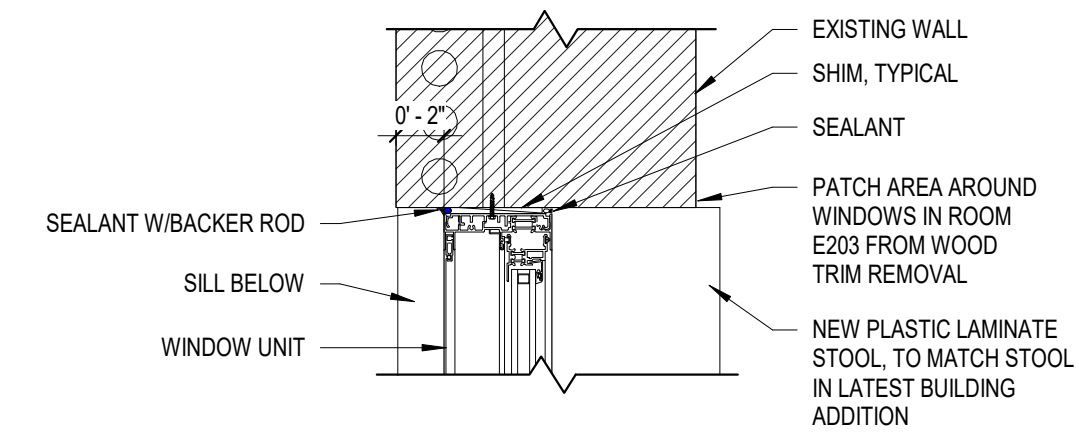
**10 STANDARD HEAD DETAIL**  
1 1/2" = 1'-0"



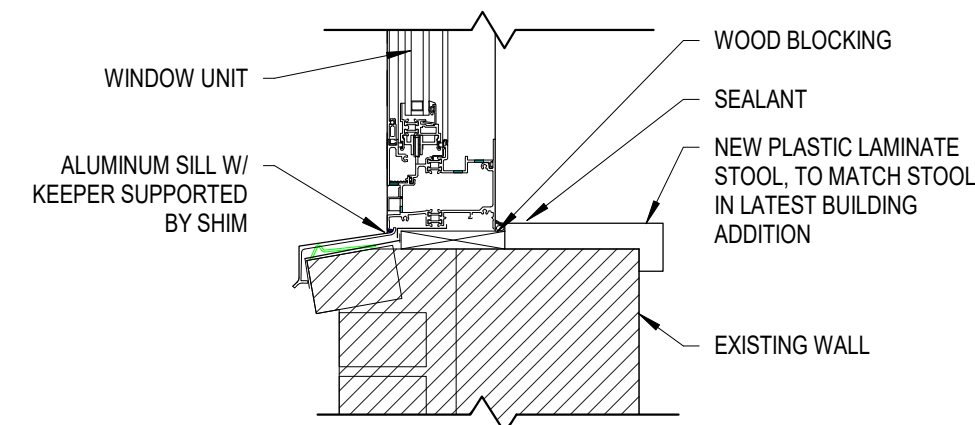
**9 ART ROOM JAMB DETAIL**  
1 1/2" = 1'-0"



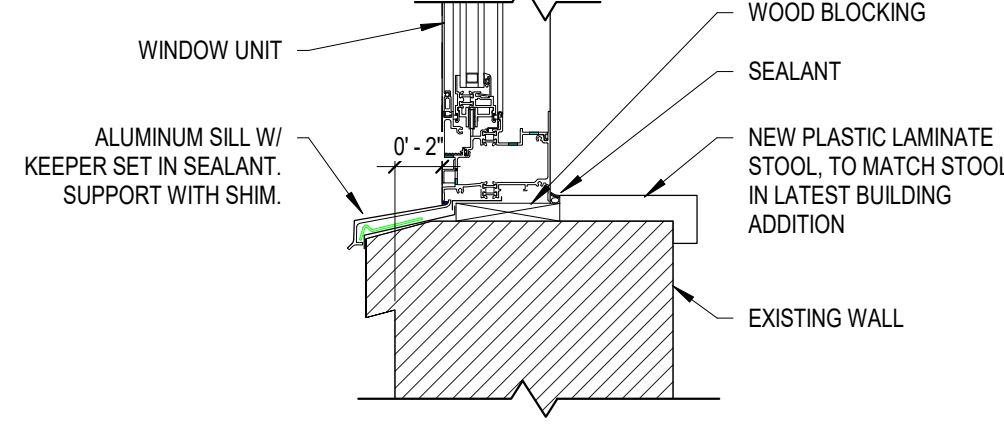
**8 TYP. EXIST. CMU JAMB DETAIL**  
1 1/2" = 1'-0"



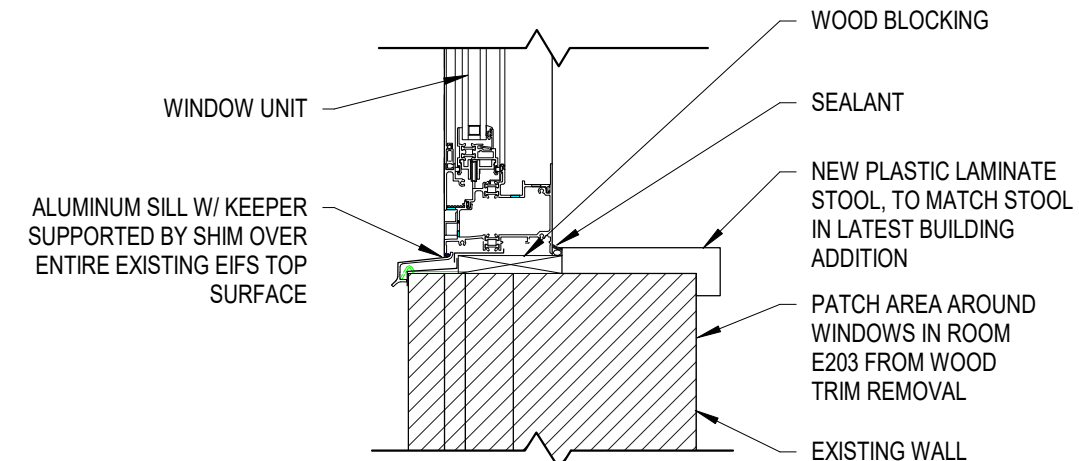
**7 STANDARD JAMB DETAIL**  
1 1/2" = 1'-0"



**6 ART ROOM SILL DETAIL**  
1 1/2" = 1'-0"



**5 TYP. EXIST. CMU SILL DETAIL**  
1 1/2" = 1'-0"

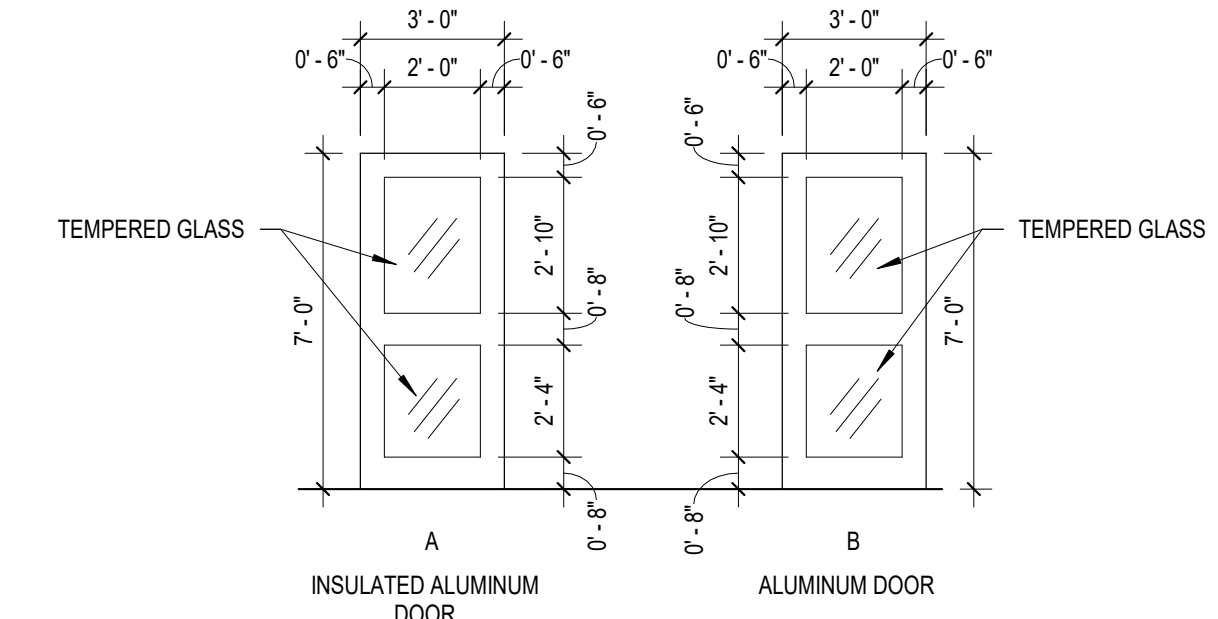


**4 STANDARD SILL DETAIL**  
1 1/2" = 1'-0"

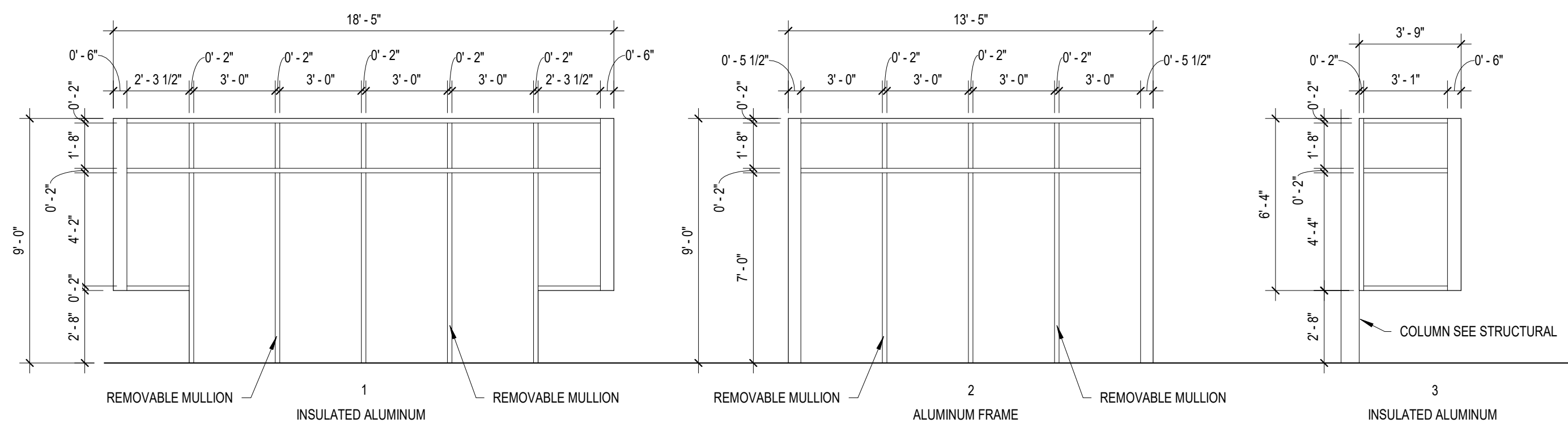
ROOM FINISH SCHEDULE									
NO.	NAME	FLOOR FINISH	BASE FINISH	WALL FINISH				CEILING FINISH	KEYED NOTES
				NORTH	EAST	SOUTH	WEST		
E201	VEST	CARPET TILE		EXISTING	PAINTED CMU	PAINTED CMU	PAINTED CMU	ACT-1	

WINDOW SCHEDULE									
MARK	WIDTH	HEIGHT	SILL HEIGHT	DETAIL			NOTES		
				HEAD	JAMB	SILL			
W1	4'-0"	4'-0"	2'-8"	10/A501	7/A501	4/A501	DOUBLE PAIN, W/L0W-E, ARGON FILLED, TINTED		
W2	6'-0"	3'-4"	2'-8"	10/A501	7/A501	4/A501	DOUBLE PAIN, W/L0W-E, ARGON FILLED, TINTED		
W3	4'-0"	4'-8"	2'-6"	11/A501	8/A501	5/A501	DOUBLE PAIN, W/L0W-E, ARGON FILLED, TINTED		
W4	6'-0"	3'-4"	4'-0"	12/A501	9/A501	6/A501	DOUBLE PAIN, W/L0W-E, ARGON FILLED, TINTED		

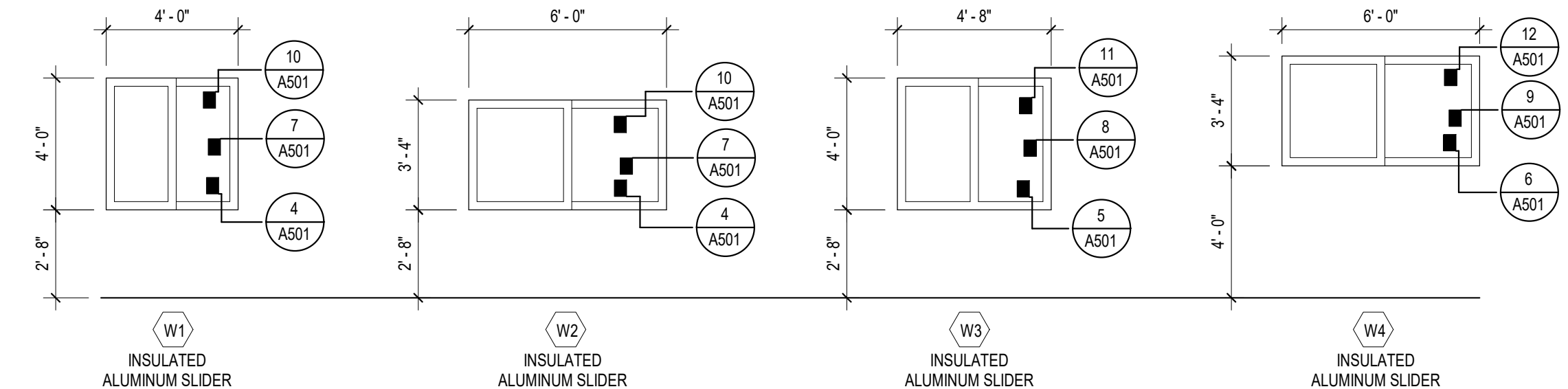
DOOR SCHEDULE									
NO.	TYPE	DOOR		FRAME			FIRE RATING	HARDWARE	NOTES
		WIDTH	HEIGHT	TYPE	HEAD	JAMB			
E201-1	A	3'-0"	7'-0"	1	5/A502	3/A503	4/A502	NONE	GROUP 1
E201-2	B	3'-0"	7'-0"	2				NONE	GROUP 2
E201-3	A	3'-0"	7'-0"	1	5/A502	3/A503	4/A502	NONE	GROUP 3
E201-4	B	3'-0"	7'-0"	2				NONE	GROUP 4



**3 DOOR TYPE**  
1/4" = 1'-0"



**2 STOREFRONT WALL TYPES**  
1/4" = 1'-0"



**1 WINDOW TYPES**  
1/4" = 1'-0"



**LIEN & PETERSON ARCHITECTS, INC.**  
PO BOX 925  
619 MENOMONIE STREET  
EAU CLAIRE, WI 54703  
TELEPHONE 715 835 7500  
FAX 715 835 1411  
EMAIL admin@2dip.com

TURTLE LAKE SCHOOL DISTRICT  
WINDOW & ENTRY REPLACE  
205 OAK STREET NORTH  
TURTLE LAKE, WI 54889

WINDOW TYPES,  
STOREFRONT WALL  
TYPES, DOOR TYPES,  
DETAILS, SCHEDULE

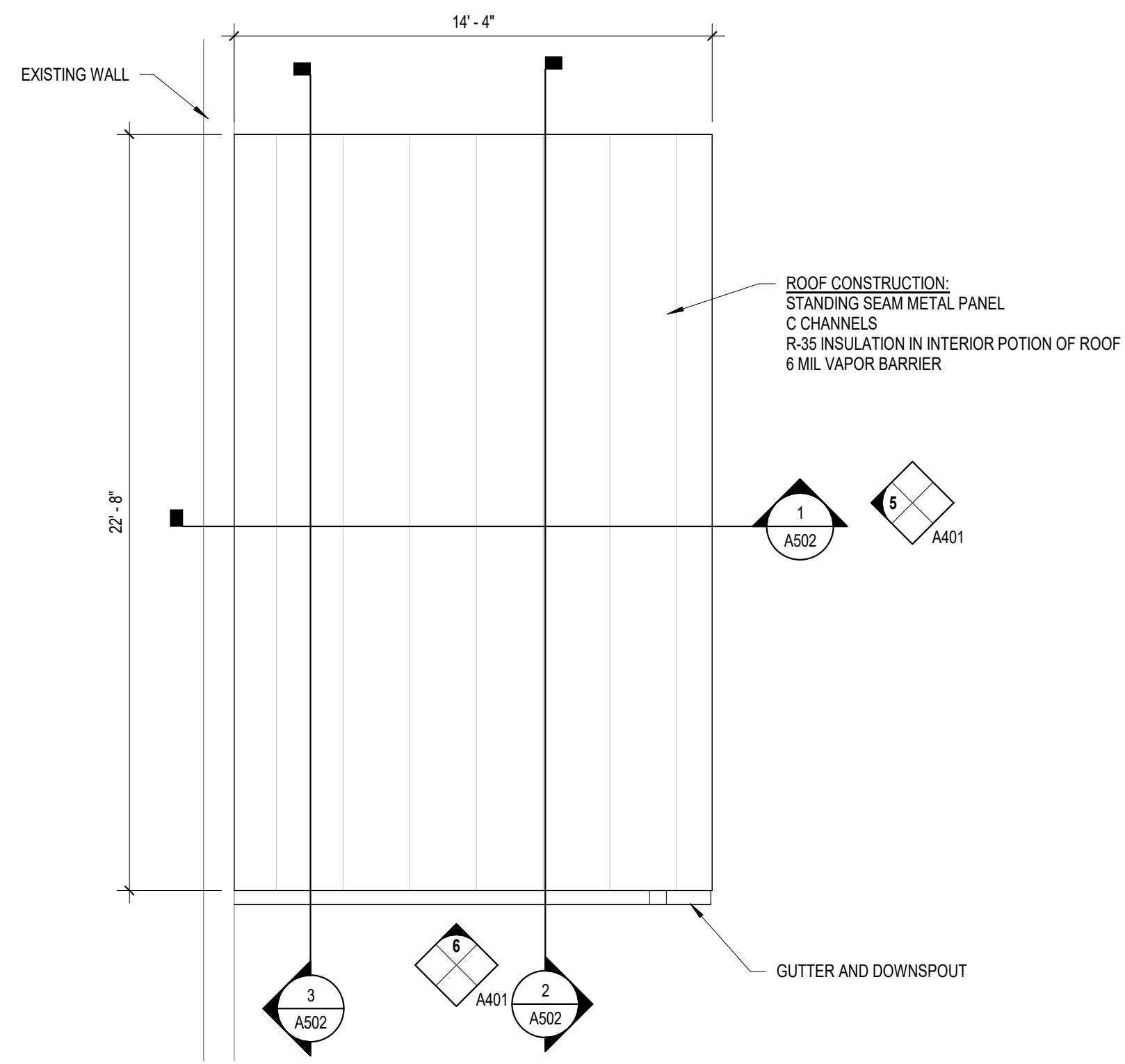
REVISIONS:	NO.	DATE

ISSUE DATE:  
JULY 10, 2017

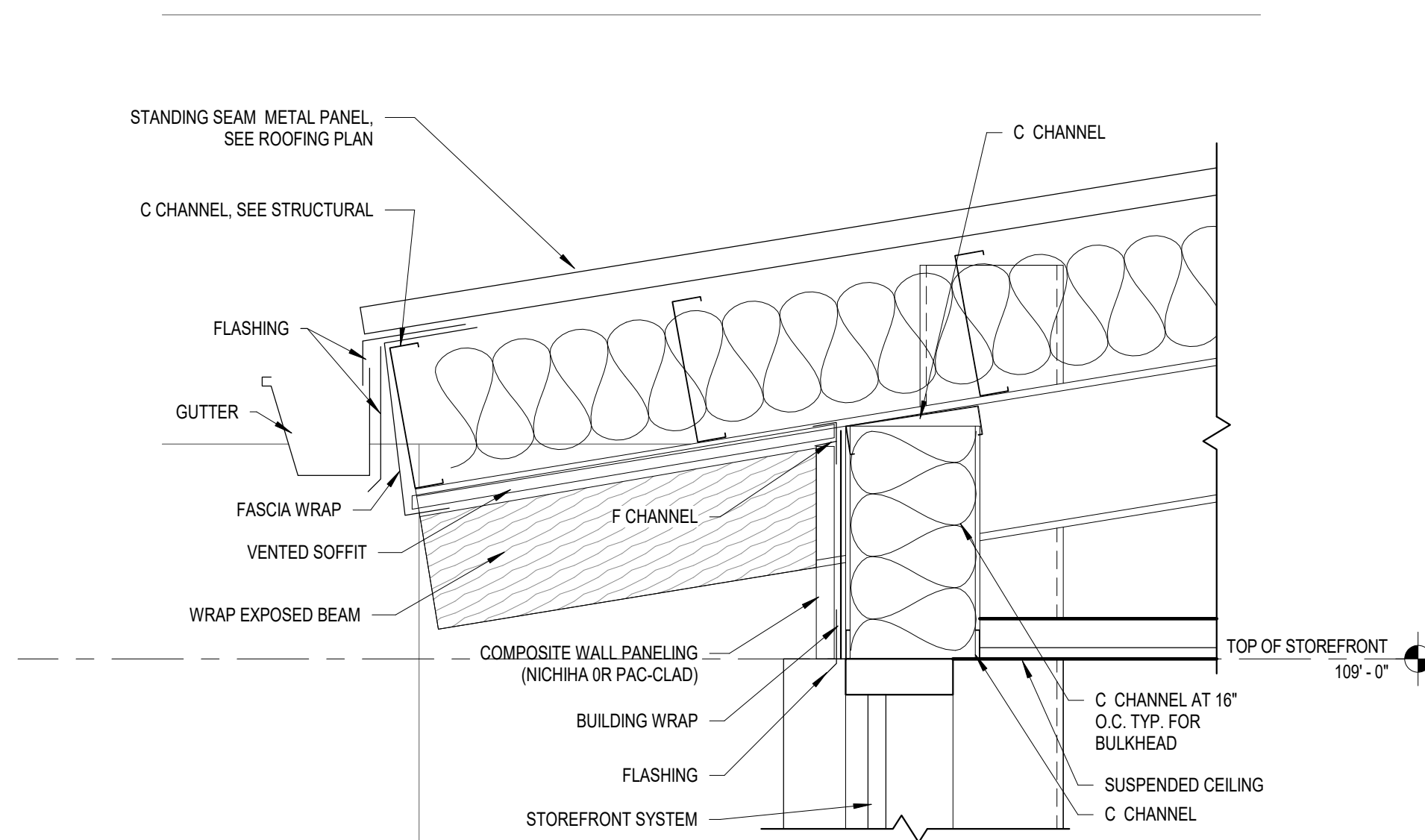
**A501**

2dip PROJECT # 1730

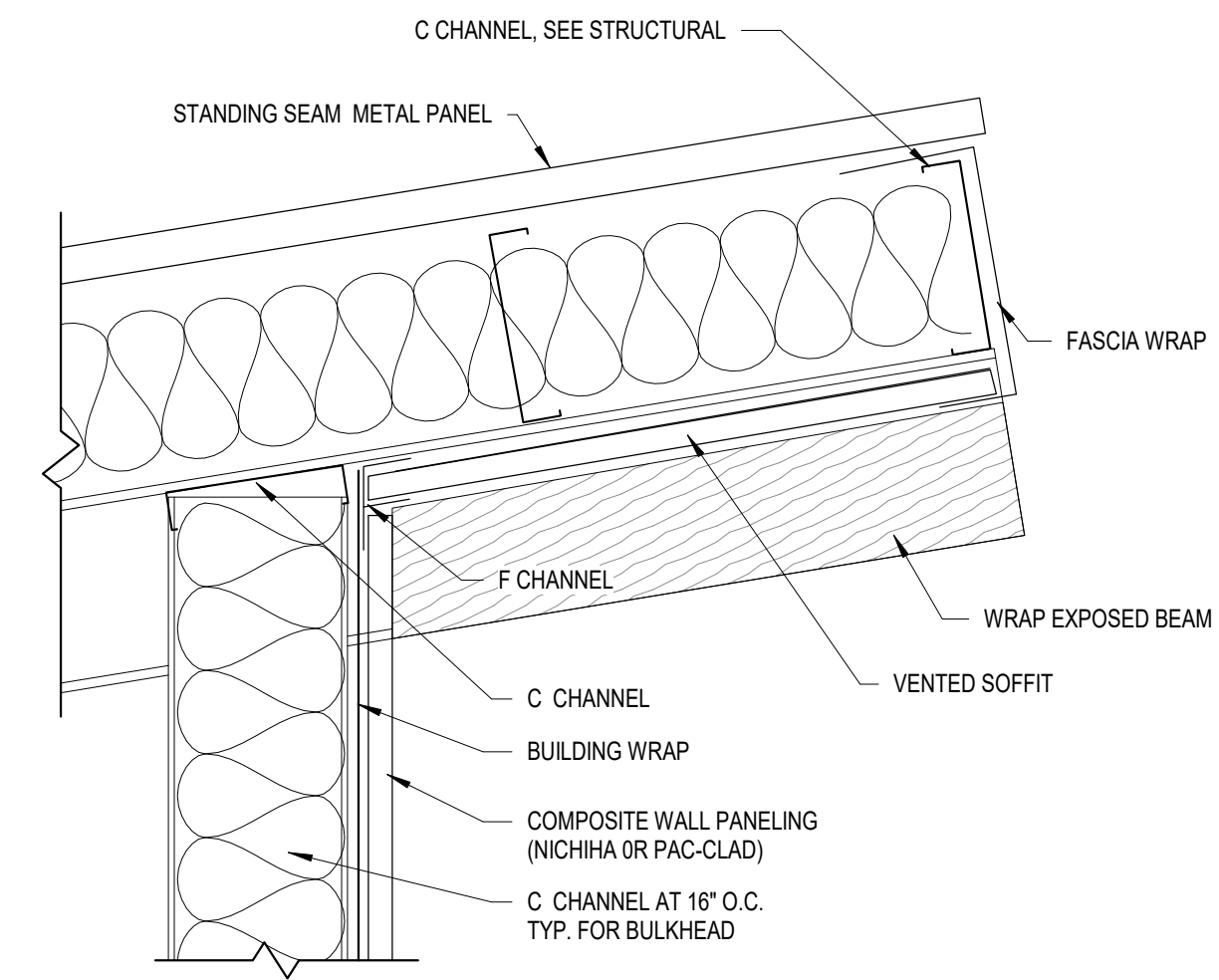
7/10/2017 3:22:16 PM



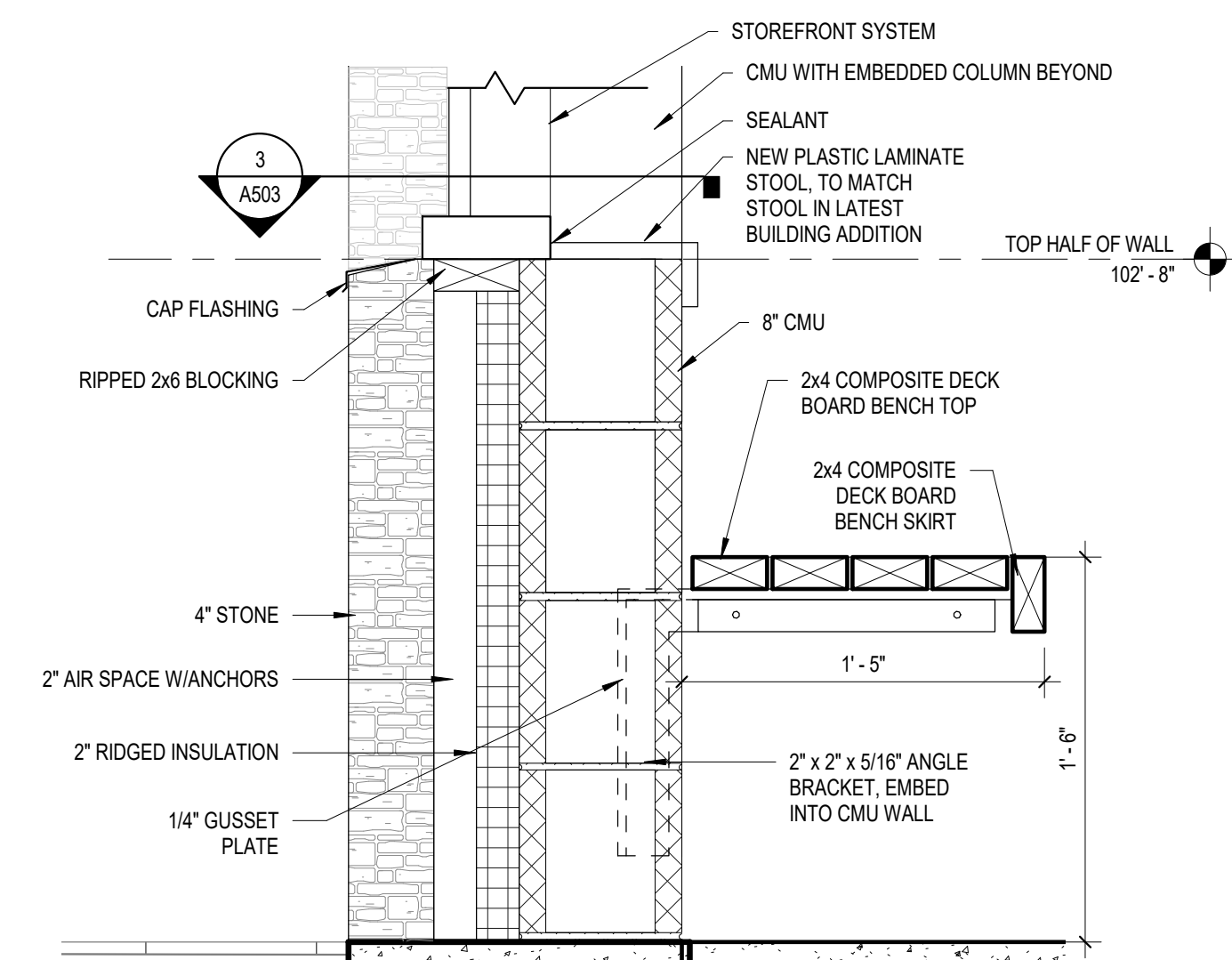
**6 NEW ENTRY ROOF PLAN**  
1/4" = 1'-0"



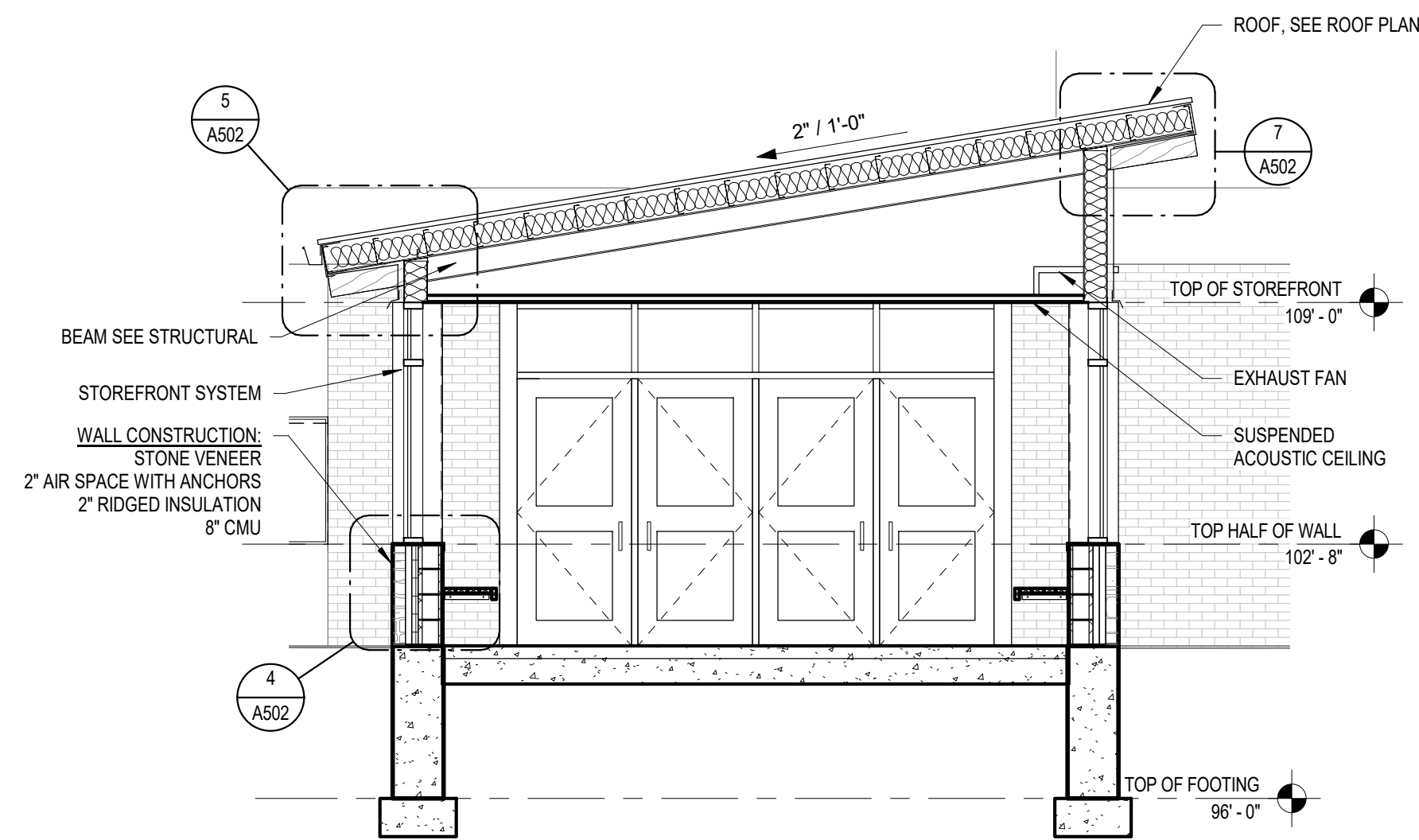
**5 LOW ROOF DETAIL**  
1 1/2" = 1'-0"



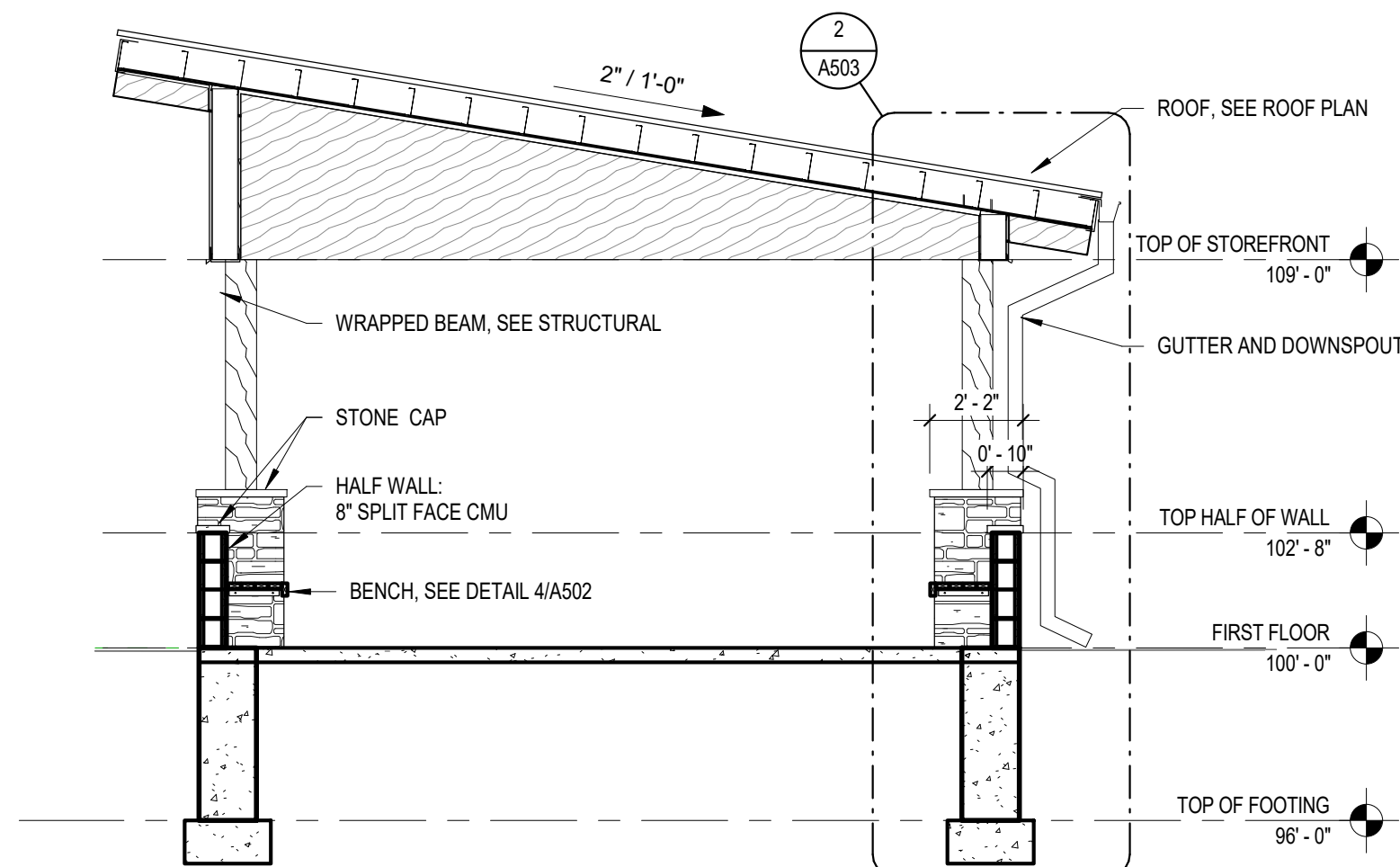
**7 HIGH ROOF DETAIL**  
1 1/2" = 1'-0"



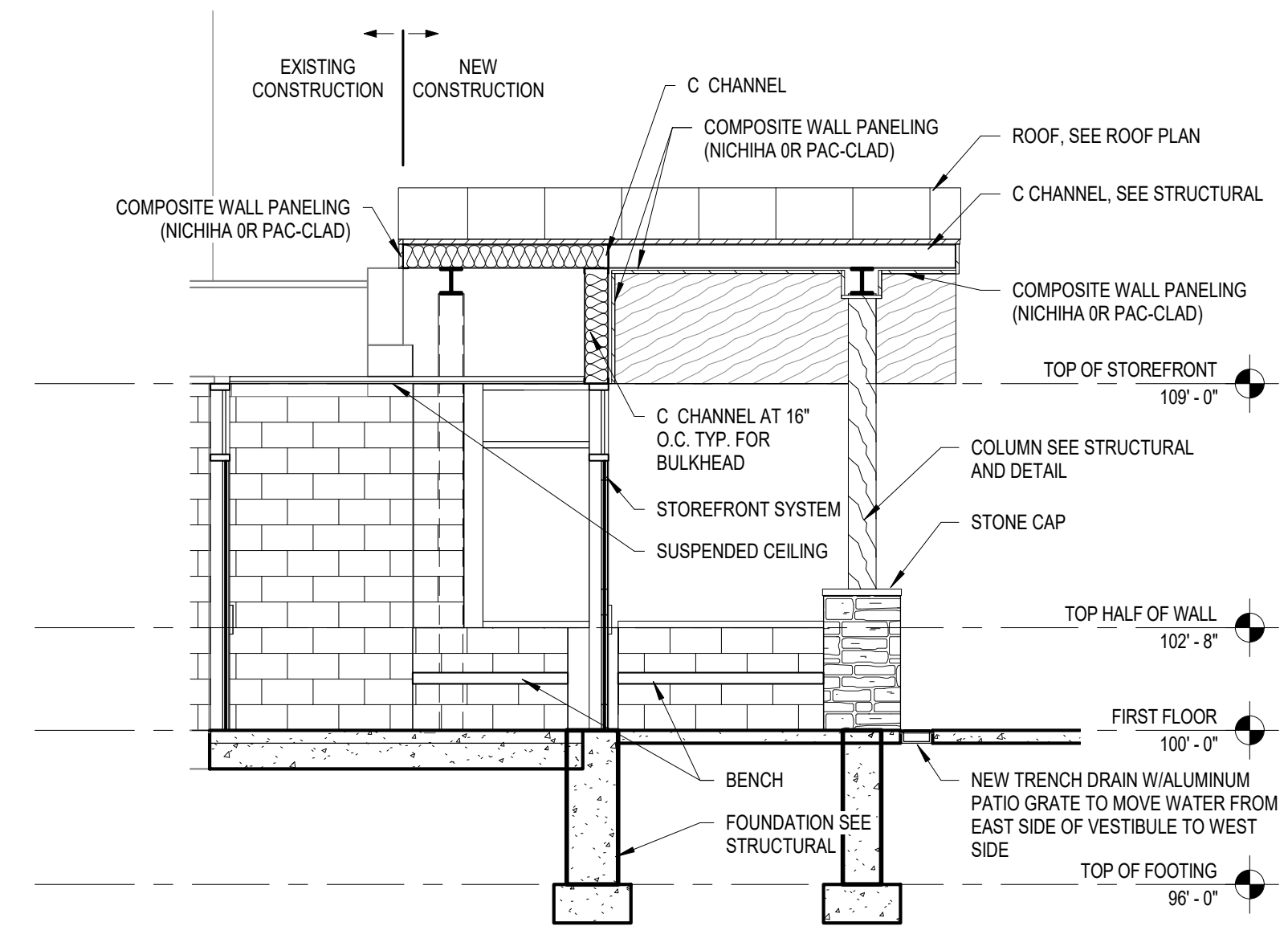
**4 STOREFRONT @ HALF WALL DETAIL**  
1 1/2" = 1'-0"



**3 VESTIBULE SECTION**  
1/4" = 1'-0"



**2 VESTIBULE CROSS SECTION**  
1/4" = 1'-0"



**1 VESTIBULE LOGINTUDINAL SECTION**  
1/4" = 1'-0"



**LIEN & PETERSON ARCHITECTS, INC.**  
PO BOX 925 54703  
EAU CLAIRE, WI 54703  
TELEPHONE 715 835 7500  
FAX 715 835 1411  
EMAIL admin@2dip.com

TURTLE LAKE SCHOOL DISTRICT  
WINDOW & ENTRY REPLACE  
205 OAK STREET NORTH  
TURTLE LAKE, WI 54889

VESTIBULE SECTIONS,  
DETAILS, NEW ENTRY  
ROOF PLAN

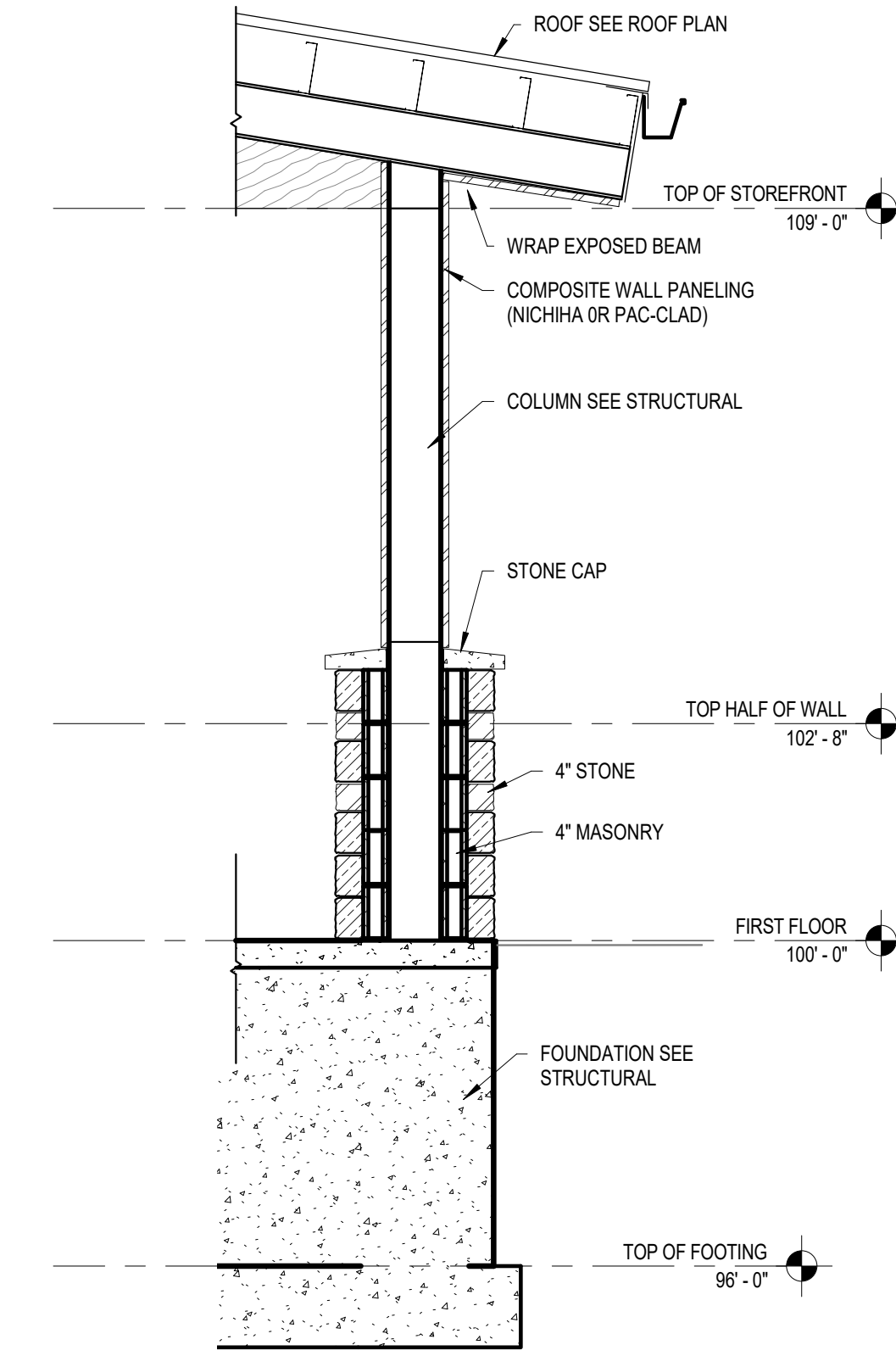
REVISIONS:  
NO. DATE

ISSUE DATE:  
JULY 10, 2017

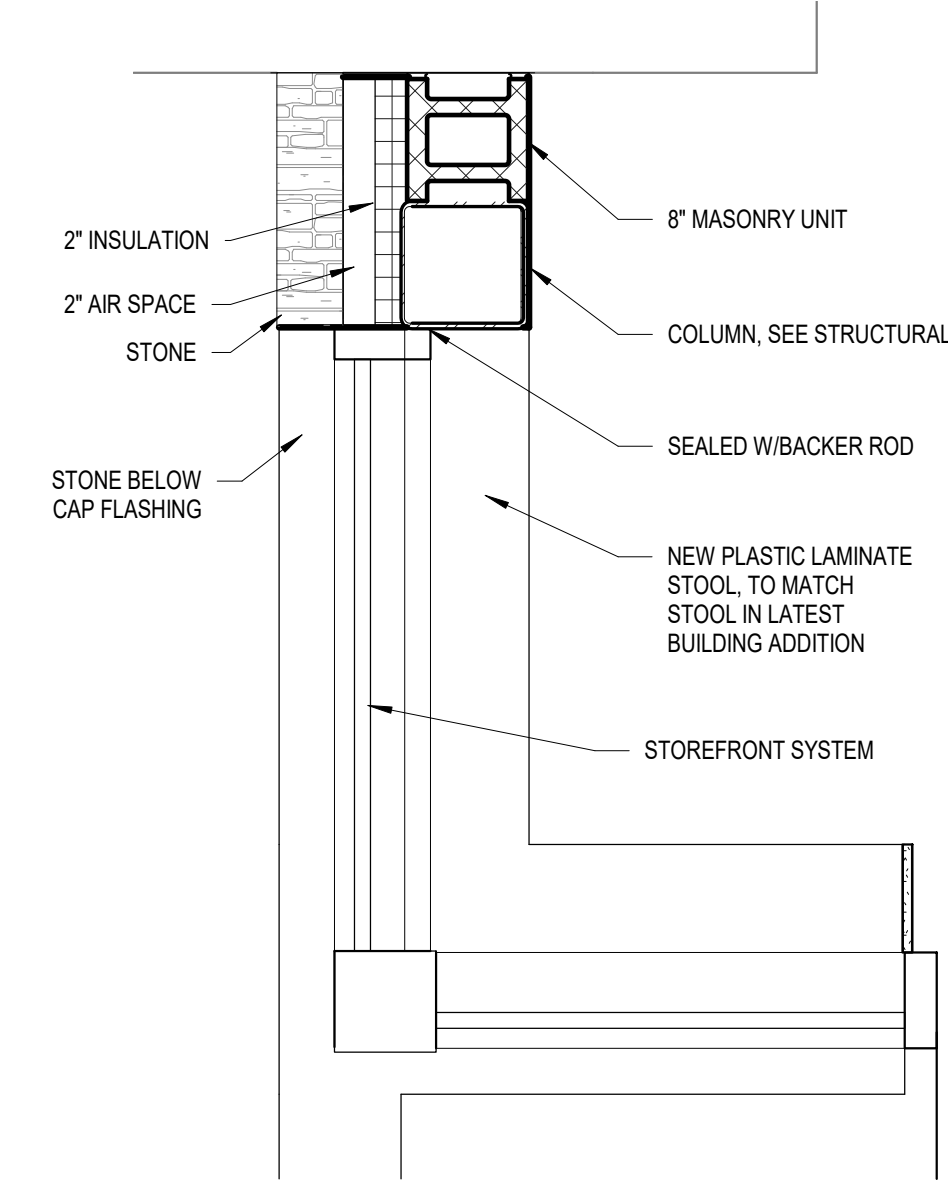
A502

2dip PROJECT # 1730

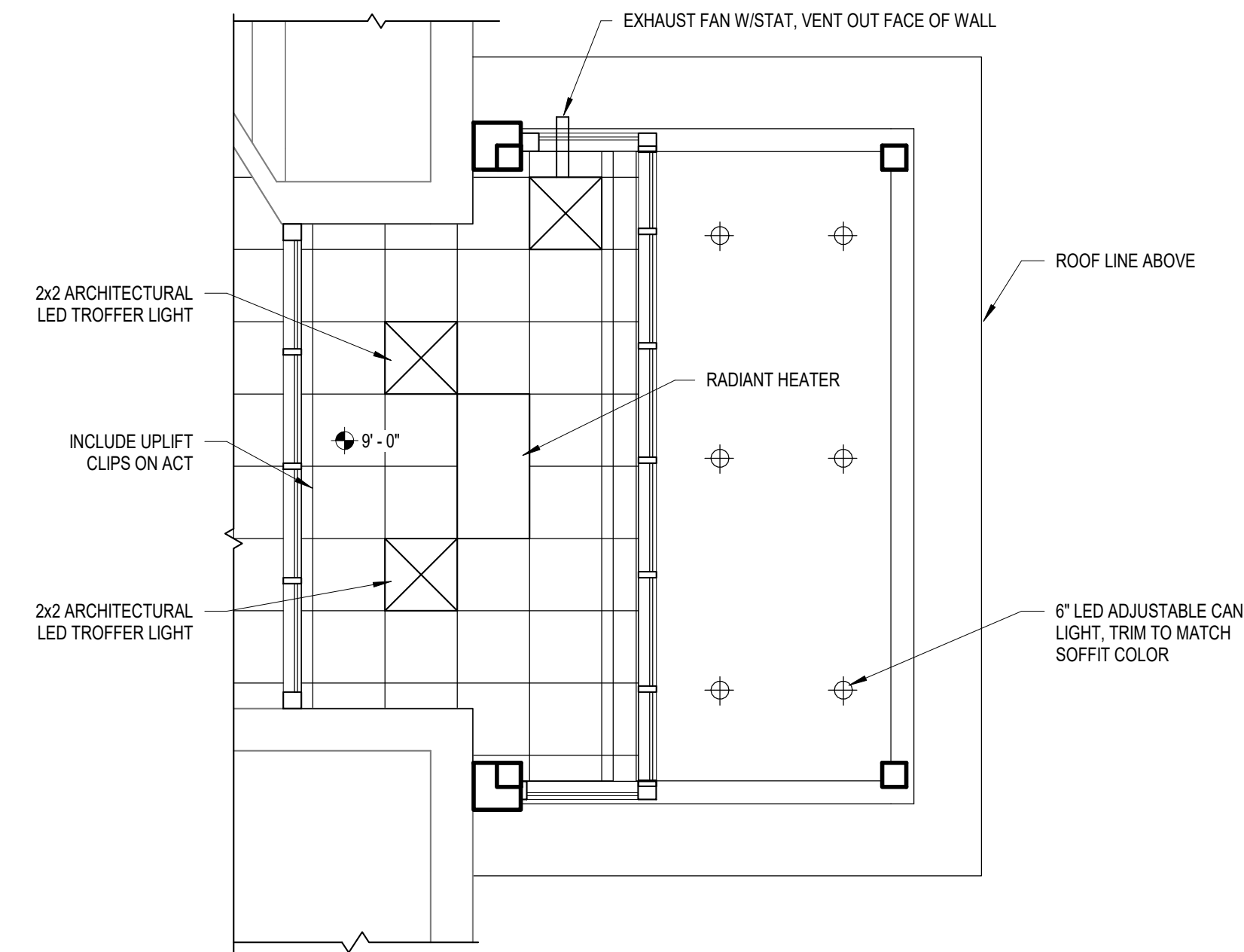
7/10/2017 3:22:16 PM



**2 COLUMN WRAP DETAIL**  
1/2" = 1'-0"



**3 STOREFRONT JAMB DETAIL**  
1" = 1'-0"



**1 NEW ENTRY CEILING PLAN**  
1/4" = 1'-0"



**LIEN & PETERSON ARCHITECTS, INC.**  
619 MENOMONIE STREET  
EAU CLAIRE, WI 54703  
TELEPHONE 715 835 7500  
FAX 715 835 1411  
EMAIL admin@2dip.com

TURTLE LAKE SCHOOL DISTRICT  
WINDOW & ENTRY REPLACE  
205 OAK STREET NORTH  
TURTLE LAKE, WI 54889

NEW ENTRY REFLECTED  
CEILING PLAN, COLUMN  
DETAIL, STOREFRONT  
JAMB

REVISIONS:	NO.	DATE

ISSUE DATE: JULY 10, 2017

**A503**

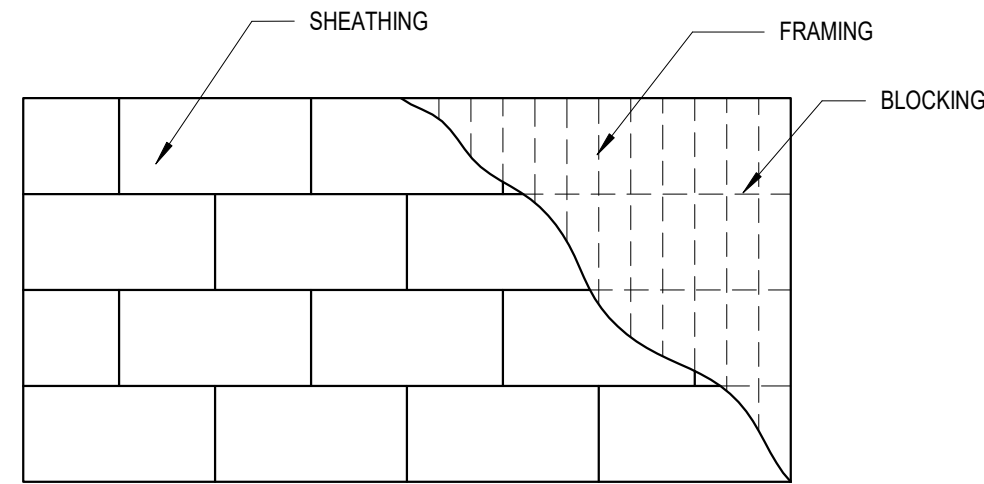
2dip PROJECT # 1730

**WOOD FRAME FASTENING SCHEDULE**

CONNECTION	FASTENING	LOCATION
JOIST TO SILL OR GIRDER	3-8d COMMON 3"x0.131" NAIL 3"x 14 GAGE STAPLE	TOE NAIL
BRIDGING TO JOIST	2-8d COMMON 2"x0.131" NAIL 2"x 14 GAGE STAPLE	TOE NAIL EACH END
1x6 SUBFLOOR OR LESS TO JOIST	2-8d COMMON	FACE NAIL
WIDER THAN 1X6 SUBFLOOR TO JOIST	2-8d COMMON	FACE NAIL
2' SUBFLOOR TO JOIST OR GIRDER	2-16d COMMON	BLIND AND FACE NAIL
SOLE PLATE TO JOIST OR BLOCKING	16d @ 16" C-C 3"x0.131" NAIL @ 8" C-C 3" 14 GAGE STAPLE @ 12" C-C	TYPICAL FACE NAIL
SOLE PLATE TO JOIST OR BLOCKING AT BRACED WALL PANEL	3-16d @ 16" C-C 3"x0.131" NAIL @ 16" C-C 3" 14 GAGE STAPLE @ 16" C-C	BRACED WALL PANELS
TOP PLATE TO STUD	2-16d COMMON 3"x0.131" NAIL 3"x 14 GAGE STAPLE	END NAIL
STUD TO SOLE PLATE	4-8d COMMON 4"x0.131" NAIL 3"x 14 GAGE STAPLE  2-16d COMMON 3"x0.131" NAIL 3"x 14 GAGE STAPLE	TOE NAIL  END NAIL
DOUBLE STUDS	16d @ 24" C-C 3"x0.131" NAIL @ 8" C-C 3" 14 GAGE STAPLE @ 8" C-C	FACE NAIL
DOUBLE TOP PLATES (STAGGER JOINTS 4'-0")	16d @ 24" C-C 3"x0.131" NAIL @ 8" C-C 3" 14 GAGE STAPLE @ 8" C-C	TYPICAL FACE NAIL
DOUBLE TOP PLATES (STAGGER JOINTS 4'-0")	8-16d COMMON 12"x0.131" NAIL 12"x 14 GAGE STAPLE	LAP SPLICE
BLOCKING BETWEEN JOISTS OR RAFTERS TO TOP PLATE	3-8d COMMON 3"x0.131" NAIL 3"x 14 GAGE STAPLE	TOE NAIL
RIM JOIST TO TOP PLATE	8d @ 6" C-C 3"x0.131" NAIL @ 6" C-C 3" 14 GAGE STAPLE @ 6" C-C	TOE NAIL
TOP PLATES, LAPS AND INTERSECTIONS	2-16d COMMON 3"x0.131" NAIL 3"x 14 GAGE STAPLE	FACE NAIL
CONTINUOUS HEADER, TWO PIECES	16d COMMON	16" C-C ALONG EDGE
CEILING JOISTS TO PLATE	3-8d COMMON 3"x0.131" NAIL 3"x 14 GAGE STAPLE	TOE NAIL
CONTINUOUS HEADER TO STUD	4-8d COMMON	TOE NAIL
CEILING JOISTS, LAPS OVER PARTITIONS	3-16d COMMON 4"x0.131" NAIL 4"x 14 GAGE STAPLE	FACE NAIL
CEILING JOISTS TO PARALLEL RAFTERS	3-16d COMMON 4"x0.131" NAIL 4"x 14 GAGE STAPLE	FACE NAIL
RAFTER TO PLATE	3-8d COMMON 3"x0.131" NAIL 3"x 14 GAGE STAPLE	TOE NAIL
1' DIAGONAL BRACE TO EACH STUD AND PLATE	2-8d COMMON 2"x0.131" NAIL 2"x 14 GAGE STAPLE	FACE NAIL
1x8 SHEATHING TO EACH BEARING WALL	2-8d COMMON	FACE NAIL
WIDER THAN 1x8 SHEATHING TO EACH BEARING WALL	3-8d COMMON	FACE NAIL
BUILT-UP CORNER STUDS	16d COMMON 3"x0.131" NAIL 3" 14 GAGE STAPLE	24" C-C 16" C-C 16" C-C
BUILT-UP GIRDER AND BEAMS	20d COMMON @ 32" C-C 3"x0.131" NAIL @ 24" C-C 3" 14 GAGE STAPLE @ 24" C-C  2-20d COMMON 3"x0.131" NAIL 3"x 14 GAGE STAPLE	FACE NAIL AT TOP AND BOTTOM STAGGERED ON OPPOSITE SIDES  FACE NAIL AT END AND AT EACH SPLICE
2' PLANKS	16d COMMON	AT EACH BEARING
COLLAR TIE TO RAFTER	3-10d COMMON 4"x0.131" NAIL 4"x 14 GAGE STAPLE	FACE NAIL
JACK RAFTER TO HIP	3-10d COMMON 4"x0.131" NAIL 4"x 14 GAGE STAPLE  2-16d COMMON 3"x0.131" NAIL 3"x 14 GAGE STAPLE	TOE NAIL  FACE NAIL
ROOF RAFTER TO 2x RIDGE BEAM	2-16d COMMON 3"x0.131" NAIL 3"x 14 GAGE STAPLE  2-16d COMMON 3"x0.131" NAIL 3"x 14 GAGE STAPLE	TOE NAIL  FACE NAIL

**WOOD FRAME FASTENING SCHEDULE**

CONNECTION	FASTENING	LOCATION
JOIST TO BAND JOIST	3-16d COMMON 5"x0.131" NAIL 5"x 14 GAGE STAPLE	FACE NAIL
LEDGER STRIP	3-16d COMMON 4"x0.131" NAIL 4"x 14 GAGE STAPLE	FACE NAIL
WOOD STRUCTURAL PANELS AND PARTICLEBOARD: SUBFLOOR, ROOF AND WALL SHEATHING TO FRAMING	1/2" AND LESS  19/32" TO 3/4"  7/8" TO 1"  1 1/8" TO 1 1/4"  3/4" OR LESS  7/8" TO 1"  1 1/8" TO 1 1/4"	6d 2.375"x0.113" NAIL 1.75" 16 GAGE STAPLE  8d OR 6d 2.375"x0.113" NAIL 2" 16 GAGE STAPLE  8d  10d OR 8d  6d  10d OR 8d
SINGLE FLOOR (COMBINATION SUBFLOOR-UNDERLAYMENT TO FRAMING)	7/8" TO 1"  1 1/8" TO 1 1/4"	8d  10d OR 8d
PANEL SIDING TO FRAMING	1/2" OR LESS 5/8"	6d 8d
FIBERBOARD SHEATHING	1/2"  25/32"	#11 GAGE ROOFING NAIL 6d COMMON NAIL # 16 GAGE STAPLE  #11 GAGE ROOFING NAIL 8d COMMON NAIL # 16 GAGE STAPLE
INTERIOR PANELING	1/4" 3/8"	4d 6d



**SHEATHING ORIENTATION**

**DESIGN AND LOAD DATA**

DESIGN SPECIFICATIONS  
WISCONSIN COMMERCIAL BUILDING CODE  
CURRENT EDITION WITH SUBSEQUENT REVISIONS

**DESIGN LOAD INFORMATION**

DEAD LOADS  
ROOF DEAD LOAD - 15 PSF

ROOF LIVE LOAD  
ROOF LIVE LOAD - 20 PSF

SNOW LOAD (BARRON COUNTY)  
GROUND SNOW LOAD - 60 PSF

THERMAL FACTOR - 1.2  
EXPOSURE FACTOR - 1.0  
IMPORTANCE FACTOR - 1.0  
ROOF SNOW LOAD - 50.4 PSF

WIND LOAD  
BASIC WIND SPEED - 90 MPH  
IMPORTANCE CATEGORY - II  
EXPOSURE CATEGORY - B  
BUILDING CATEGORY - ENCLOSED  
USE ASCE 7-05 SIMPLIFIED LOADS

SEISMIC LOADS  
SEISMIC DESIGN CATEGORY A

**SOIL DESIGN INFORMATION**

SOIL DATA (ASSUMED)  
SOIL TYPE - CL  
ALLOWABLE BEARING CAPACITY - 1500 PSF

**MATERIAL REQUIREMENTS**

MATERIALS  
ROOF SHEATHING  
28 GAGE METAL SALES VERTICAL SEAM  
CLIP SPACING @ 2.5' MAX.  
COLD FORMED STEEL  
Fy = 50 KSI  
ROOF SHEATHING FASTENERS  
(2) #10 TEK SCREWS EACH END OF C-CHANNEL

**GENERAL NOTES**

1. THE CONTRACTOR SHALL CONDUCT ALL OPERATIONS IN STRICT ACCORDANCE WITH SAFETY REQUIREMENTS IMPOSED BY THE OWNER AND OSHA. THE CONTRACTOR SHALL REMOVE ALL DEBRIS FROM THE OWNER'S PROPERTY AND DISPOSE OF ACCORDING TO LOCAL REGULATIONS.
2. THIS STRUCTURE IS DESIGNED TO BE SELF SUPPORTING AND STABLE AFTER IT IS FULLY COMPLETED. IT IS SOLELY THE CONTRACTOR'S RESPONSIBILITY TO DETERMINE ERECTION PROCEDURES AND SEQUENCES; AND TO INSURE THE STABILITY OF THE STRUCTURE AND ITS COMPONENT PARTS, AND THE ADEQUACY OF TEMPORARY OR INCOMPLETE CONNECTIONS DURING ERECTION. THIS INCLUDES THE ADDITION OF WHATEVER TEMPORARY BRACING, GUYS, OR TIE-DOWNS THAT MIGHT BE NECESSARY. SUCH MATERIAL IS NOT SHOWN ON THE DRAWINGS. IF APPLIED, THEY SHALL BE REMOVED AS CONDITIONS PERMIT, AND SHALL REMAIN THE CONTRACTOR'S PROPERTY.
3. SAFETY: IT IS SOLELY THE CONTRACTOR'S RESPONSIBILITY TO FOLLOW ALL APPLICABLE SAFETY CODES AND REGULATIONS GOVERNING THIS WORK.
4. ENGINEERING DRAWINGS: ALL DEVIATIONS FROM THE ENGINEERING DRAWINGS SHALL BE SUBMITTED IN WRITTEN FORM TO THE OWNER OR THEIR REPRESENTATIVE FOR APPROVAL.
5. EXISTING UTILITIES AND ALL OTHER OBSTRUCTIONS TO WORK SHALL BE TEMPORARILY REMOVED BY THE CONTRACTOR AND REINSTALLED (INCLUDING NECESSARY MODIFICATIONS) BY THE CONTRACTOR AFTER COMPLETION OF WORK.
6. SHOP DRAWINGS SHALL BE SUBMITTED TO AND APPROVED BY THE OWNER OR THEIR REPRESENTATIVE BEFORE SHOP WORK IS PERMITTED TO COMMENCE. ALL DEVIATIONS FROM THE ENGINEERING DRAWINGS SHALL BE CIRCLED AND NOTED ON THE SHOP DRAWINGS.
7. DIMENSIONS PERTAINING TO EXISTING CONDITIONS MUST BE FIELD VERIFIED BY THE CONTRACTOR PRIOR TO ANY FABRICATION, CONSTRUCTION, OR ERECTION.
8. EXCAVATION SHALL PROCEED WITH CARE TO AVOID DAMAGE TO UNKNOWN UNDERGROUND SERVICES.
9. BACKFILL SHALL BE GRANULAR MATERIAL, FREE FROM CLAY, LOAM, OR PERISHABLE MATERIALS. THE APPROVED GRANULAR FILL MATERIAL SHALL BE COMPACTED TO A DENSITY EQUIVALENT TO 95% MODIFIED PROCTOR.

**FOUNDATIONS**

1. FOUNDATIONS SHALL BEAR ON UNDISTURBED SOIL OR ENGINEERED FILL.

**STRUCTURAL STEEL**

1. THE FABRICATION AND ERECTION OF STRUCTURAL STEEL SHALL CONFORM TO ALL REQUIREMENTS OF THE CURRENT AISC "SPECIFICATION FOR THE DESIGN, FABRICATION AND ERECTION OF STRUCTURAL STEEL BUILDINGS", AND "CODE OF STANDARD PRACTICE FOR STEEL BUILDINGS AND BRIDGES", WITH THE FOLLOWING SUPPLEMENTAL REQUIREMENTS.
2. ROLLED WIDE FLANGE SHAPES SHALL CONFORM TO ASTM A992 WITH A MINIMUM YIELD STRESS (Fy) OF 50,000 PSI. ROLLED SHAPES, PLATES, AND BARS SHALL CONFORM TO ASTM A36 WITH A MINIMUM YIELD STRESS (Fy) OF 36,000 PSI. CIRCULAR PIPE SHALL CONFORM TO ASTM A53, GRADE B, WITH A MINIMUM YIELD STRESS (Fy) OF 35,000 PSI. SQUARE AND RECTANGULAR TUBING SHALL CONFORM TO ASTM A500, GRADE B, WITH A MINIMUM YIELD STRESS (Fy) OF 46,000 PSI.
3. SPLICING OF STRUCTURAL STEEL IS PROHIBITED EXCEPT AS DETAILED.
4. STRUCTURAL STEEL SHALL BE NEW UNLESS OTHERWISE NOTED, AND SHALL BE PAINTED WITH ONE COAT OF APPROVED PRIMER AND APPROVED FINISH COAT AS DIRECTED BY THE OWNER.
5. BOLTS SHALL CONFORM TO ASTM A325X WITH ASTM A563 NUTS. BOLTS SHALL BE TIGHTENED BY THE TURN-OF-THE-NUT METHOD, AND SHALL HAVE A HARDENED STEEL WASHER, ASTM F436, UNDER THE TURNED ELEMENT.
6. WELDING SHALL CONFORM TO THE CURRENT AWS D1.1 "STRUCTURAL WELDING CODE-STEEL". WELDING ELECTRODES SHALL BE E70XX.
7. WELDS SHALL BE MADE ONLY BY CERTIFIED WELDERS AND WELDING OPERATORS WHO HAVE BEEN PREVIOUSLY QUALIFIED BY TESTS AS PRESCRIBED IN THE CURRENT AWS D1.1 "STRUCTURAL WELDING CODE-STEEL". PROOF OF CERTIFICATION SHALL BE SUBMITTED TO THE OWNER FOR APPROVAL BEFORE ANY WELDING IS PERMITTED TO BEGIN.
8. WELDING OF STAINLESS STEEL TO BE PERFORMED USING STAINLESS RODS AND WELDING PROCEDURES.
9. ANCHOR BOLTS FOR COLUMNS SHALL CONFORM TO ASTM A307. ANCHOR BOLTS FOR MACHINES SHALL CONFORM TO ASTM A325. ALL ANCHOR BOLTS SHALL BE SET BY TEMPLATE METHOD, OR AN APPROVED EQUIVALENT METHOD.

**CONCRETE**

CONCRETE WORK SHALL CONFORM TO ALL REQUIREMENTS OF THE CURRENT ACI 301, "SPECIFICATIONS FOR STRUCTURAL CONCRETE FOR BUILDINGS", WITH THE FOLLOWING SUPPLEMENTAL REQUIREMENTS:

1. ALL CONCRETE TO BE NORMAL WEIGHT, WITH AGGREGATES CONFORMING TO ASTM C33.
2. CONCRETE SHALL DEVELOP THE FOLLOWING 28-DAY COMPRESSIVE STRENGTH (F<sub>c</sub>):  
FLOOR SLABS - 4000 PSI  
FOUNDATIONS - 4000 PSI
3. CHLORIDE BASED ADMIXTURES ARE PROHIBITED IN ALL REINFORCED CONCRETE. OTHER ADMIXTURES SHALL CONFORM TO ASTM C494.
4. REINFORCING STEEL SHALL BE DEFORMED AND CONFORM TO A615, A616, OR A617, GRADE 60, WITH MINIMUM YIELD STRESS (F<sub>y</sub>) OF 60,000 PSI. THE MINIMUM LAP FOR SPLICES SHALL BE 3'-6".
5. CONCRETE COVER ON ALL REINFORCING SHALL BE 3" UNLESS OTHERWISE NOTED.
6. MAXIMUM SLUMP SHALL BE 4"x11" AS DETERMINED IN ACCORDANCE WITH ASTM C143.
7. CONCRETE FINISH:  
FLOOR SLABS - HARD TROWELED FINISH  
PAVING SLABS - FLOAT/BROOM FINISH
8. ALL CONCRETE EXPOSED TO THE EXTERIOR SHALL BE AIR ENTRAINED WITH AN AIR CONTENT OF 6%±.



**LIEN & PETERSON ARCHITECTS, INC.**  
PO BOX 925 54703  
619 MEMONIE STREET EAU CLAIRE, WI 715 835 1411  
TELEPHONE 715 835 7500 FAX 715 835 1411  
EMAIL admin@2dip.com

**TURTLE LAKE SCHOOL DISTRICT**  
**WINDOW & ENTRY REPLACE**  
205 OAK STREET NORTH  
TURTLE LAKE, WI 54889

**STRUCTURAL DESIGN**  
**NOTES**

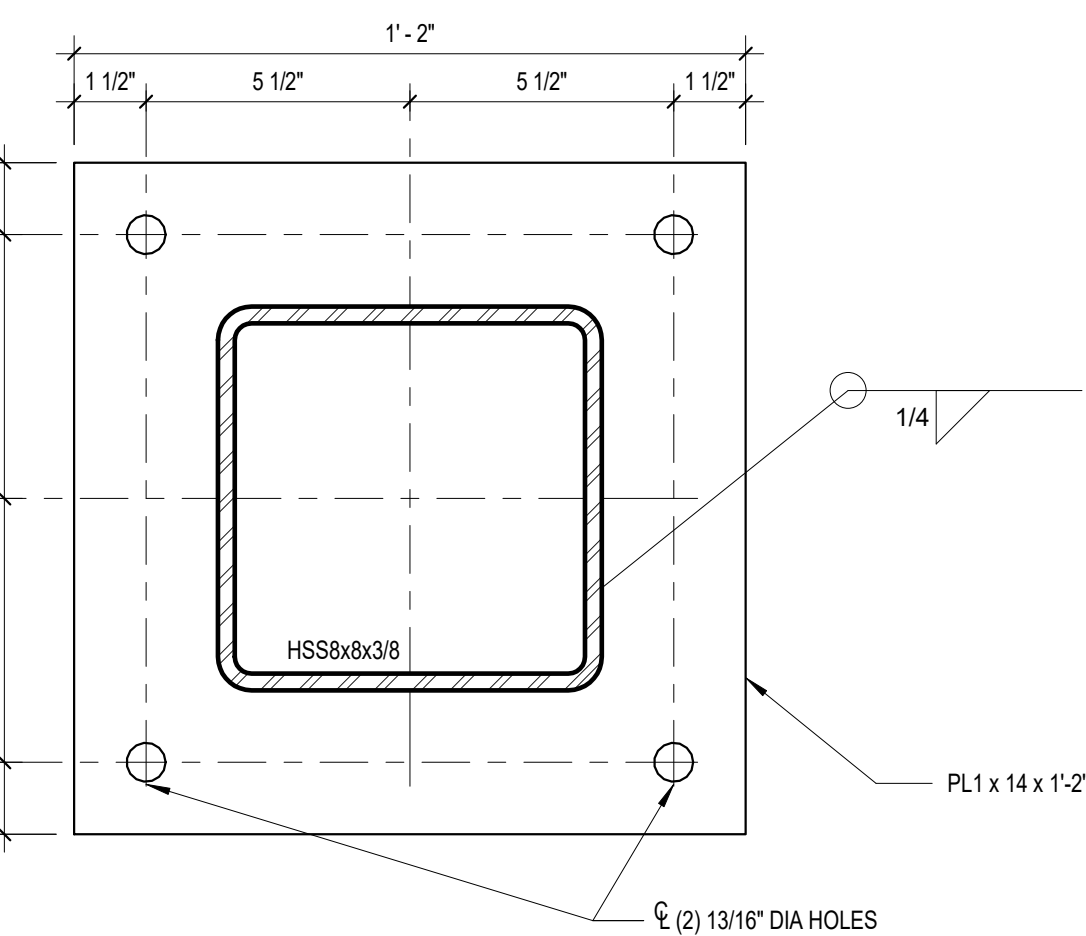
REVISIONS:  
NO. DATE

ISSUE DATE:  
JULY 10, 2017

**A901**

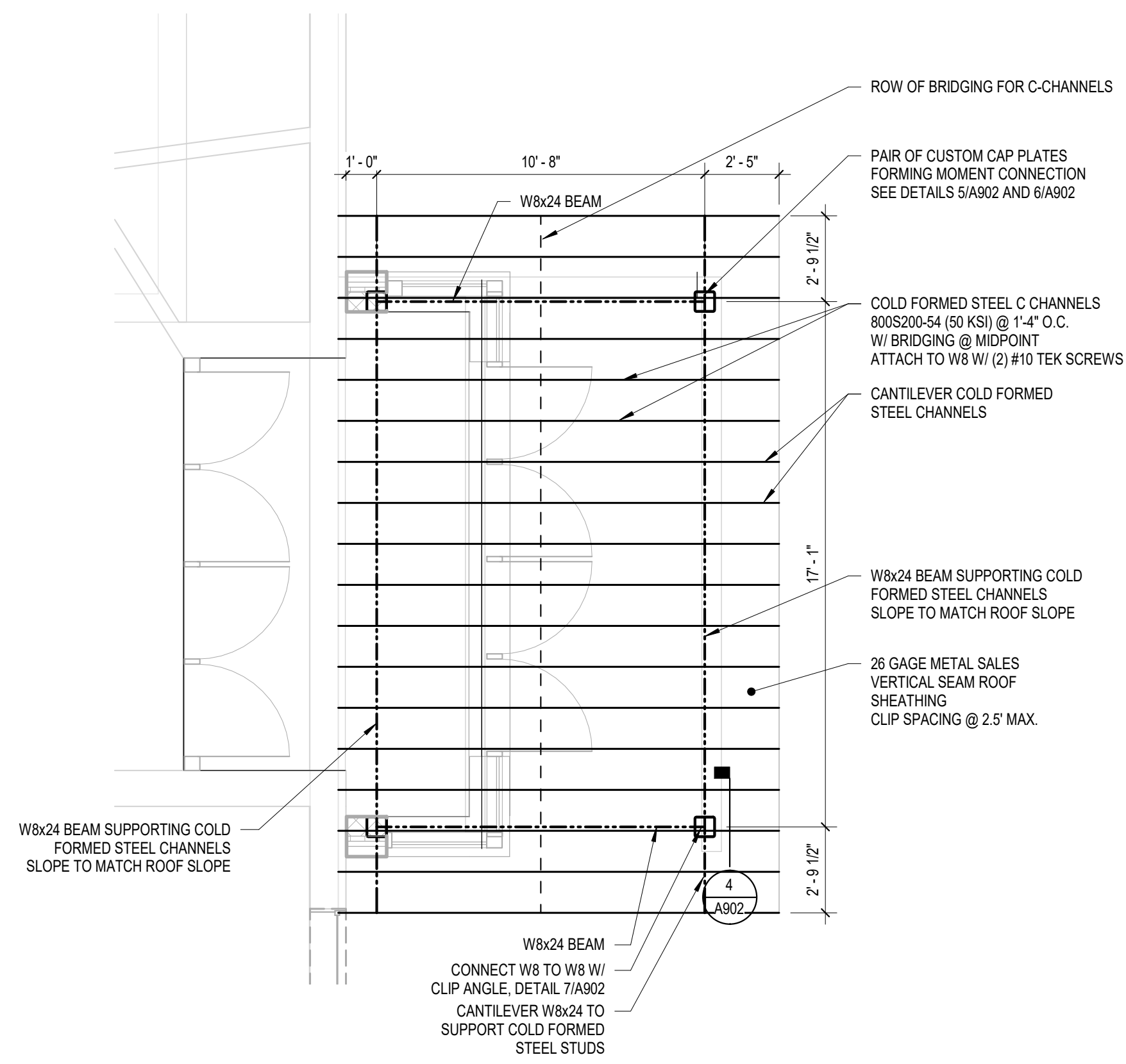
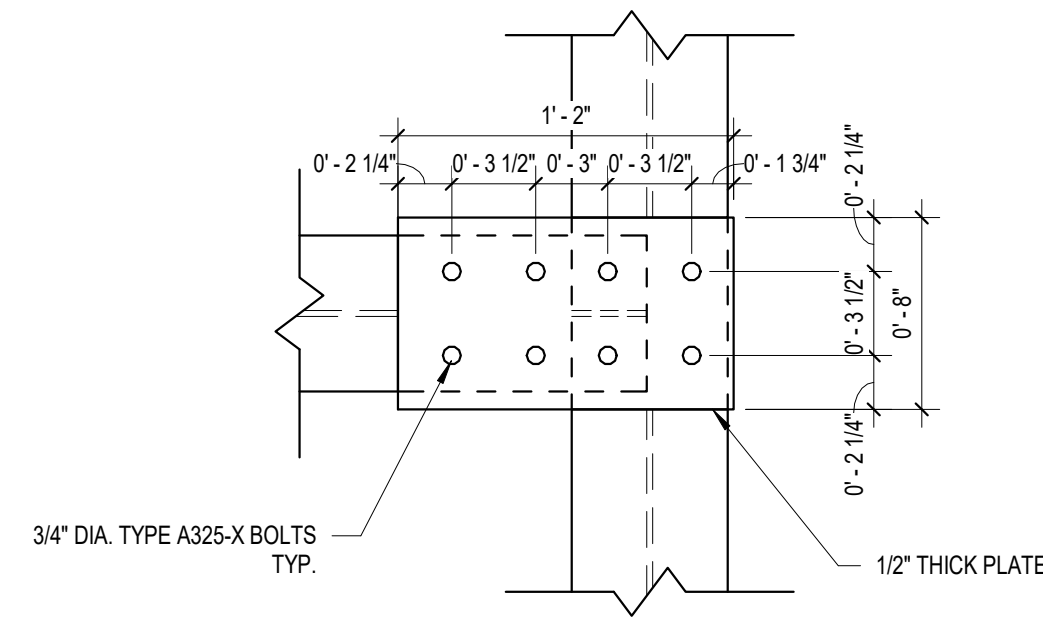


7/10/2017 3:22:17 PM

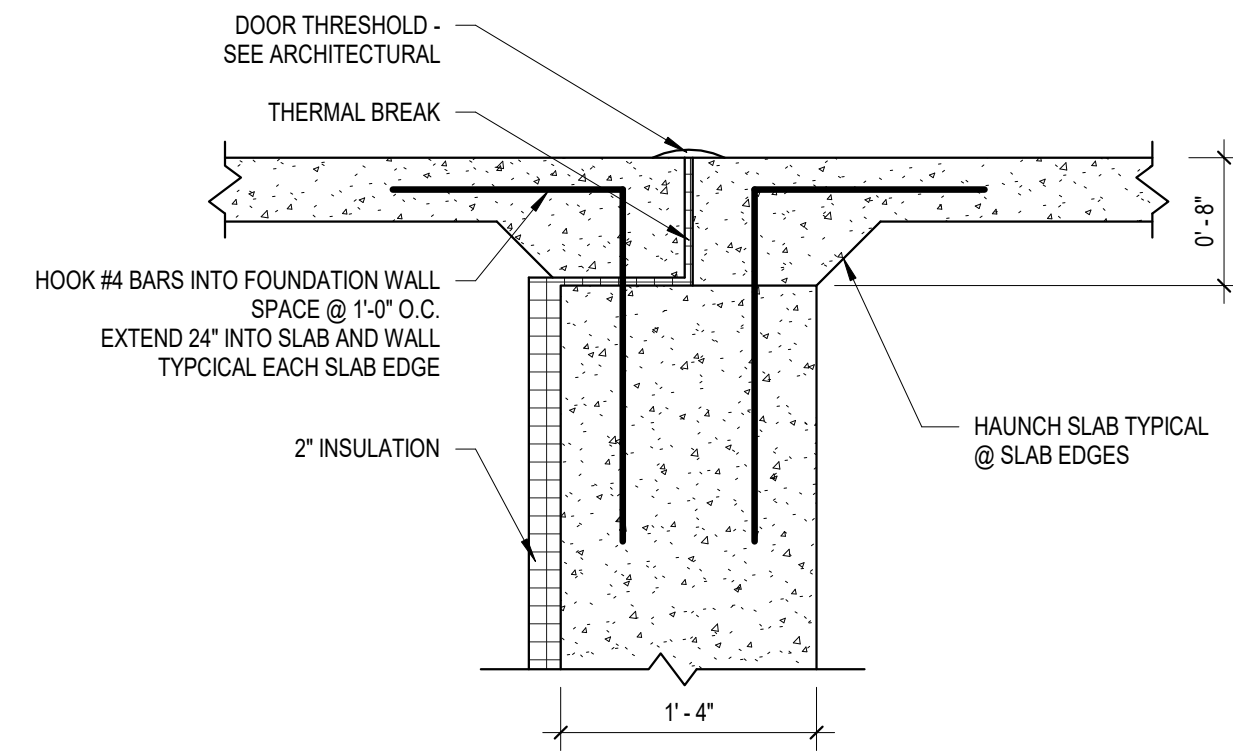


**3 HSS8x8x3/8 BASEPLATE**  
3" = 1'-0"

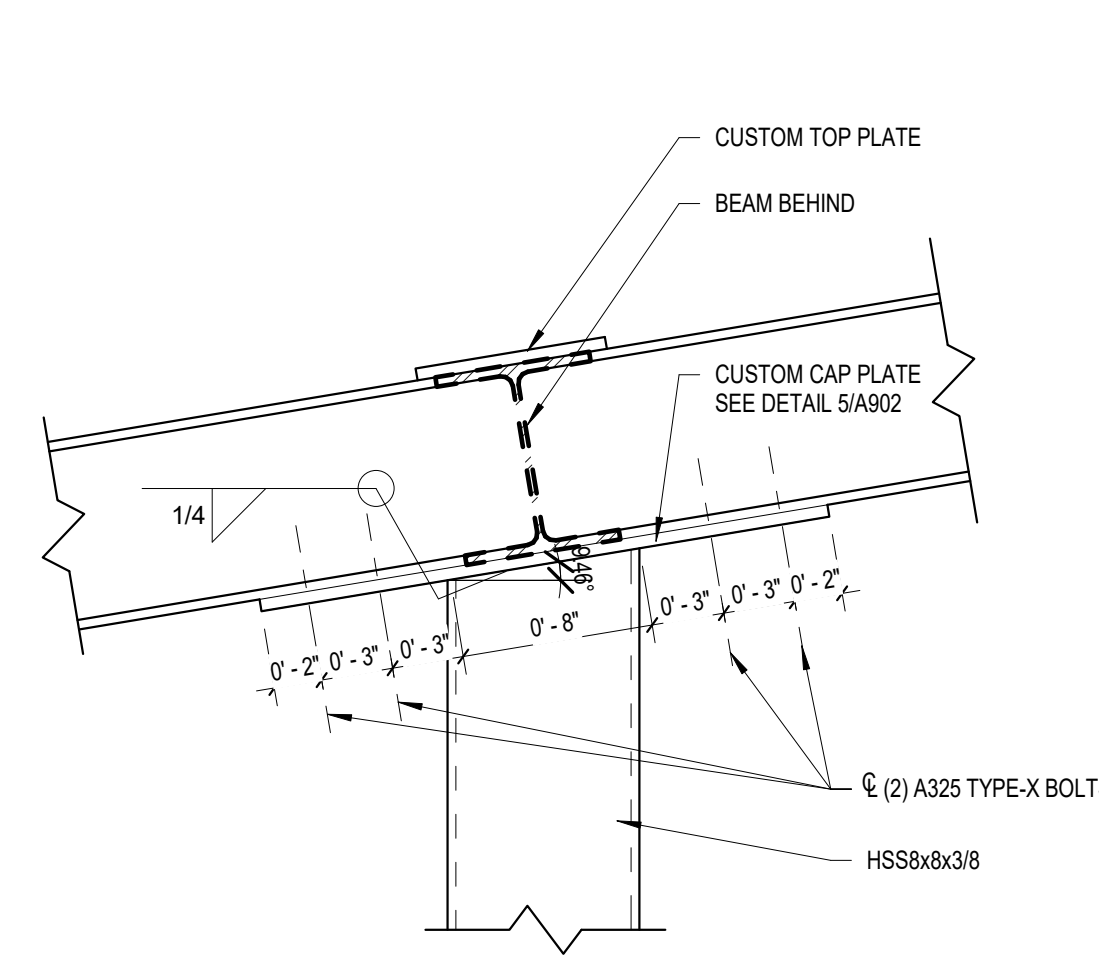
**6 CUSTOM TOP PLATE**  
1 1/2" = 1'-0"



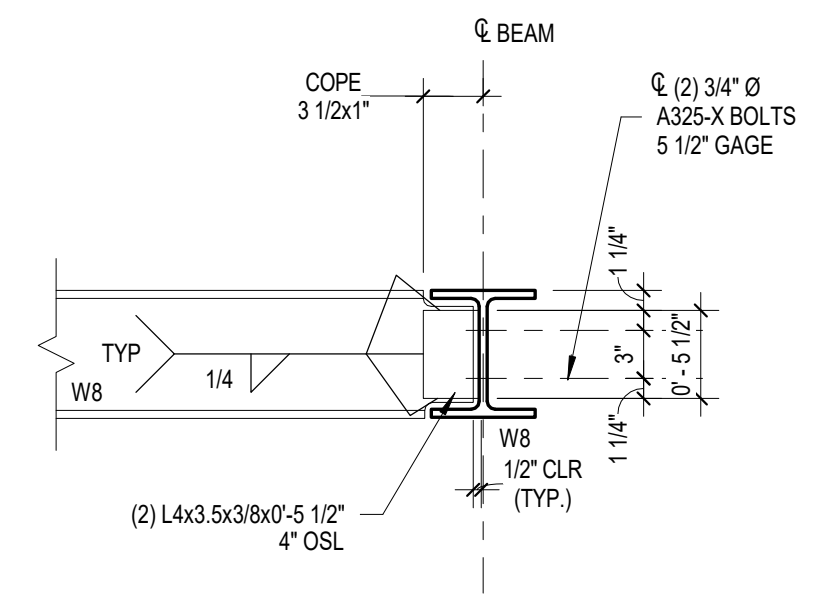
**2 ROOF FRAMING PLAN**  
1/4" = 1'-0"



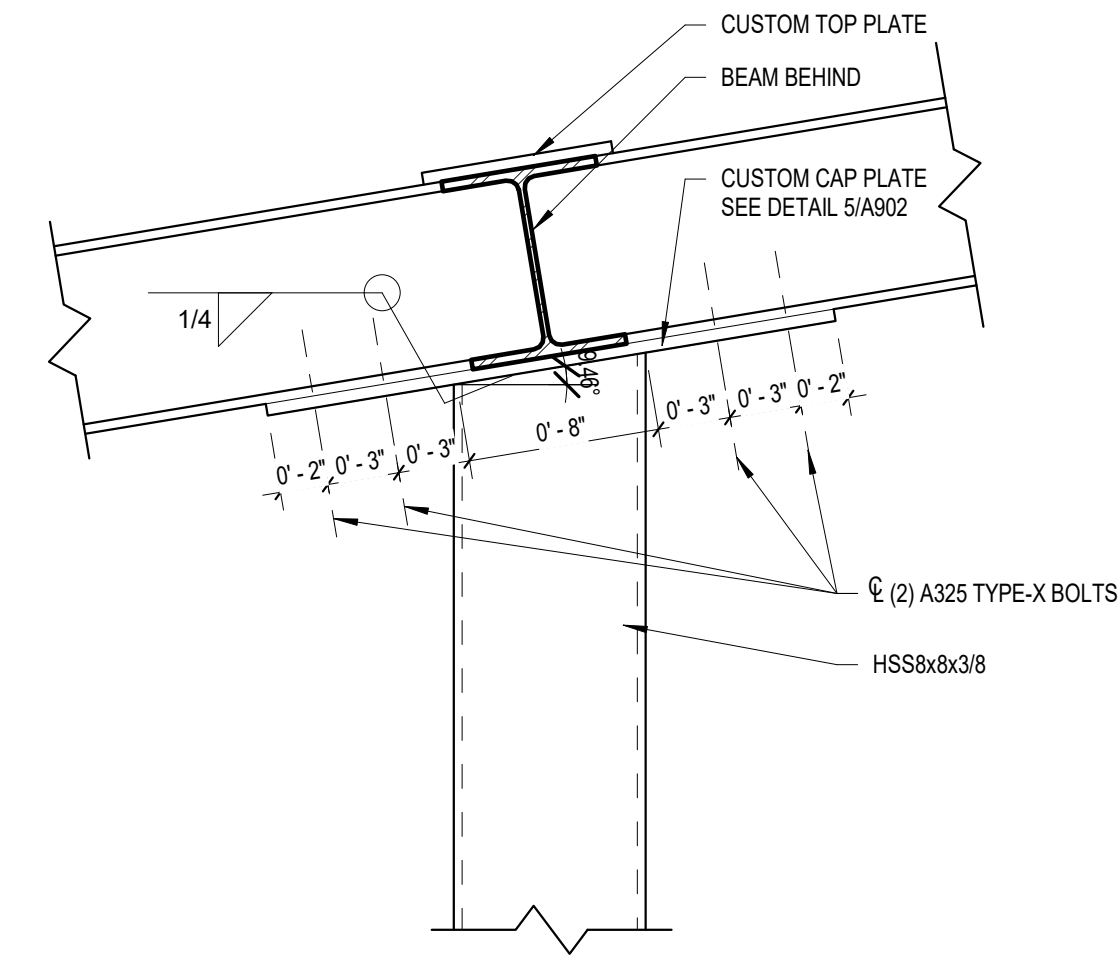
**8 FOUNDATION BELOW ENTRY**  
1" = 1'-0"



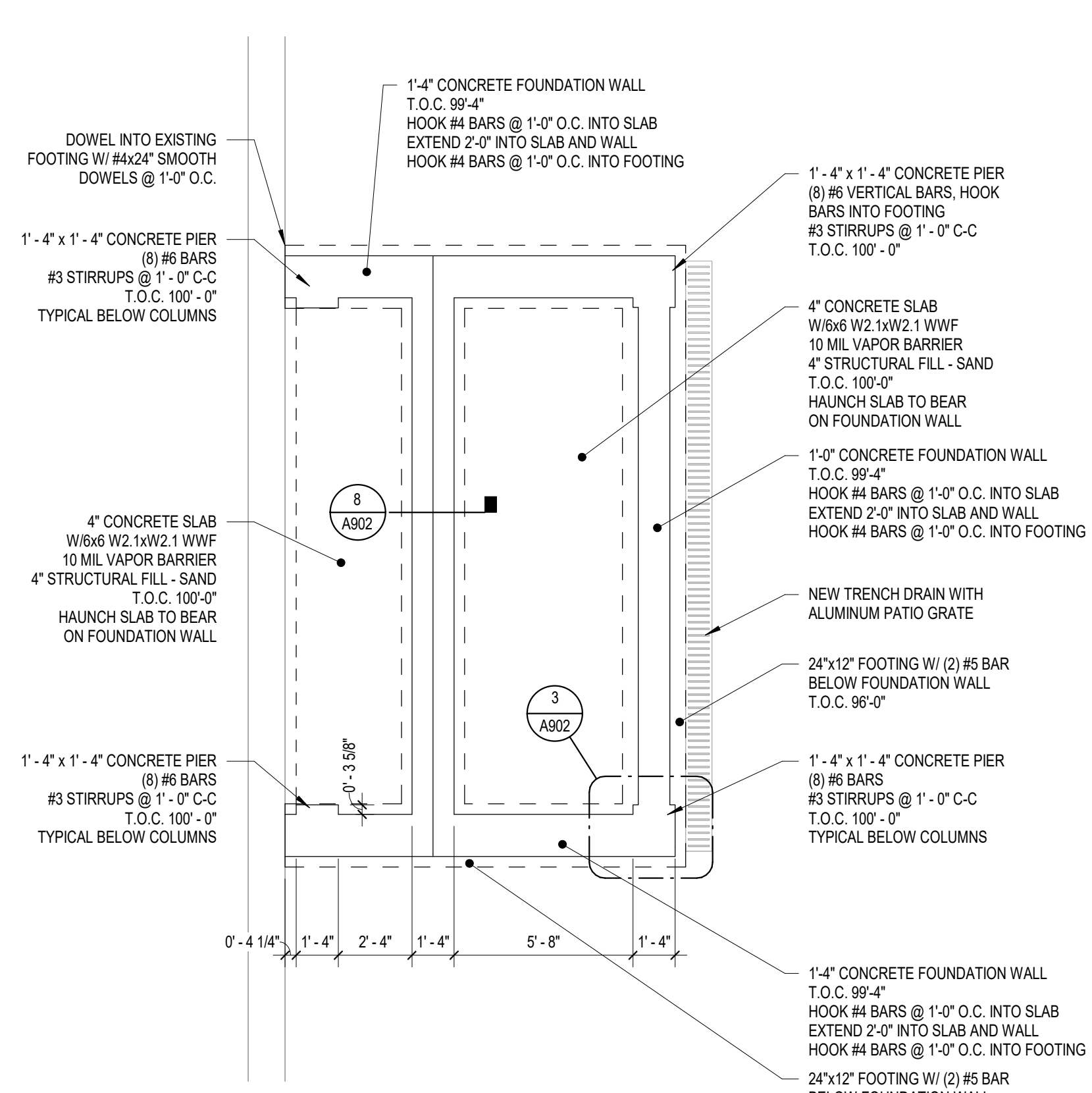
**4 HSS8x8x3/8 TO W8x24 CONNECTION**  
1 1/2" = 1'-0"



**7 CLIP ANGLE DETAIL - W8 TO W8**  
1" = 1'-0"



**5 CUSTOM CAP PLATE**  
1 1/2" = 1'-0"



**1 FOUNDATION PLAN**  
1/4" = 1'-0"



**LIEN & PETERSON ARCHITECTS, INC.**  
PO BOX 925  
54703  
EAU CLAIRE, WI  
TELEPHONE 715 835 7500  
FAX 715 835 1411  
admin@2dip.com  
EMAIL

**TURTLE LAKE SCHOOL DISTRICT**  
WINDOW & ENTRY REPLACE

**FOUNDATION PLAN,  
ROOF FRAMING PLAN,  
DETAILS**

REVISIONS:	NO.	DATE

ISSUE DATE:  
JULY 10, 2017

**A902**

2dip PROJECT # 1730